

TASKING SHEET

SOURCE NO: 049

DATE: \_\_\_\_\_

SUSPENSE: \_\_\_\_\_

1. PROJECT NUMBER: 92-88-0-F

2. METHOD/TECHNIQUE: Method of choice

3. BACKGROUND: The vessel known as [REDACTED] is suspected of being involved in narcotics trafficking

SG1A

SG1A

4. ESSENTIAL ELEMENTS OF INFORMATION  
Determine if the [REDACTED] is currently involved in narcotics trafficking. If so,  
o describe the activity  
o nature of the contraband  
o how, wrapped and stored  
o determine intermediate and final destinations of the narcotics

5. COMMENTS: Additional requirements may follow.

Coordinates: 926 880

This document is made available through the declassification efforts  
and research of John Greenewald, Jr., creator of:

# The Black Vault



The Black Vault is the largest online Freedom of Information Act (FOIA)  
document clearinghouse in the world. The research efforts here are  
responsible for the declassification of hundreds of thousands of pages  
released by the U.S. Government & Military.

**Discover the Truth** at: <http://www.theblackvault.com>

SESSION INFORMATIONA. TARGET DATA:

Date: 28 Aug 92  
 Task/Target Number: 92-88-0-F  
 Session Number: 01

B. PERSONNEL DATA:

Source Number: 049  
 Monitor Number: NA

C. SESSION DATA:

Session Start Time: 1024  
 Session Stop Time: 1111  
 Method Used: CRV  
 Distractions/Hunches: interruptions from maids / pleasure craft.

D. EVALUATION DATA:

Viewer Confidence (H/M/L): M-H  
 Evaluator's Estimate: \_\_\_\_\_

E. SESSION SUMMARY:

(long, narrow) The target vessel is involved with trafficking. There is a compartment that runs along the inside of the port side hull of the vessel. Access is through a metal "box" with a corrugated or rippled top. This box appears to be solidly part of the vessel. It has been welded and painted shut to match the vessel. Its measurements are proportionately 1:1:2 (w:h:l). (see diagram) (pgs 2 & 3)

The nature of the contraband is light & powdery, ~~but~~ yet not like cocaine. It's different from coke (maybe crack) but it is almost like brown sugar. It is packed in long sections of PVC-like piping; however, I did get an overwhelming sense of, of all things, "coffee cans" i.e. metal cans or cylinders. (This didn't make sense because metal is too easily detected by a magnetometer). ~~a magnet for that~~

The term "snumbers" or hat is significant; a nickname maybe. An object that folds up or is collapsible is also significant.

The "piping" containing the material is stacked 3 or sometimes 4 sections together (see page 7).

There are bench like seats along the port side of the cabin compartment. The seat part lifts up. A peculiar object is stored in there

This object is a <sup>2)</sup> "cylinder" <sup>30"-36" long.</sup>  
 It has a handle around it & dials or circles on its surface (see diagram page 4). It has the appearance of brushed metal. It is another inconsistency in that I feel that it can "sense" as well as generate alternately.

Spherical objects (considered art work) are inside the cabin. There is a rack for navigational charts/cylinders. The 4th from the right is somehow significant. Is it a lighter color. There is coiled tubing or hoses. There is a sense of extra antennas ~~which~~ present which appear as "guide" lines or non-functional wires.

This vessel has been remodeled. The walls &/or floors are different somehow from the original configuration.

One individual has a pistol on board. There are unsuspecting passengers on board - they are not aware of presence of contraband or activity in progress.

Destination ~~was to~~ contained too much AOL. The phonetic "MAL..." or "MEL..." were perceived. AOL ~~was~~ derived names included California, Los Angeles, Tahoe, Las Vegas, Reno, Menlo Park & Palo Alto.

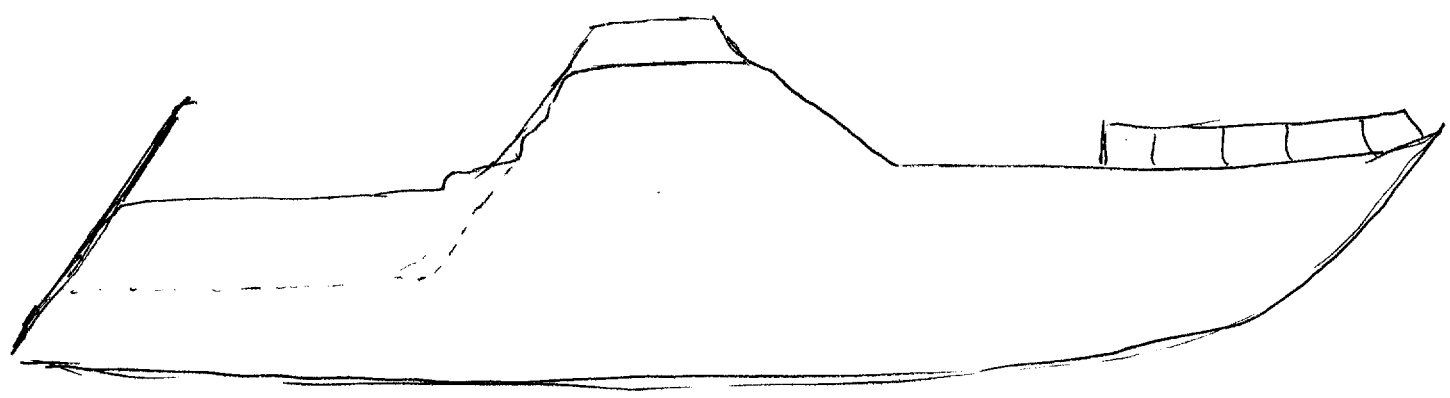
An individual who is a carpet or fabric distributor is involved with their activity. I sense that this may be the method by which the stuff is distributed.

PI - interceptors, from manuals  
AV - road pleasure craft

049  
28 Aug 92  
P: 92-88-0-F  
S: 01  
ST: 1024  
ET: 1111

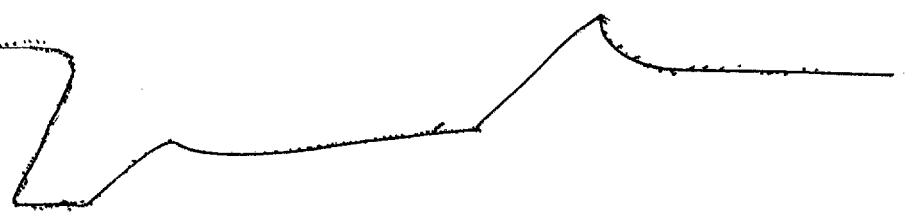
926 880 920 884

MISS  
BK



AOC  
Steering wheel  
housing.

926 880 920 880



A - hand  
manmade  
B - structure  
A -

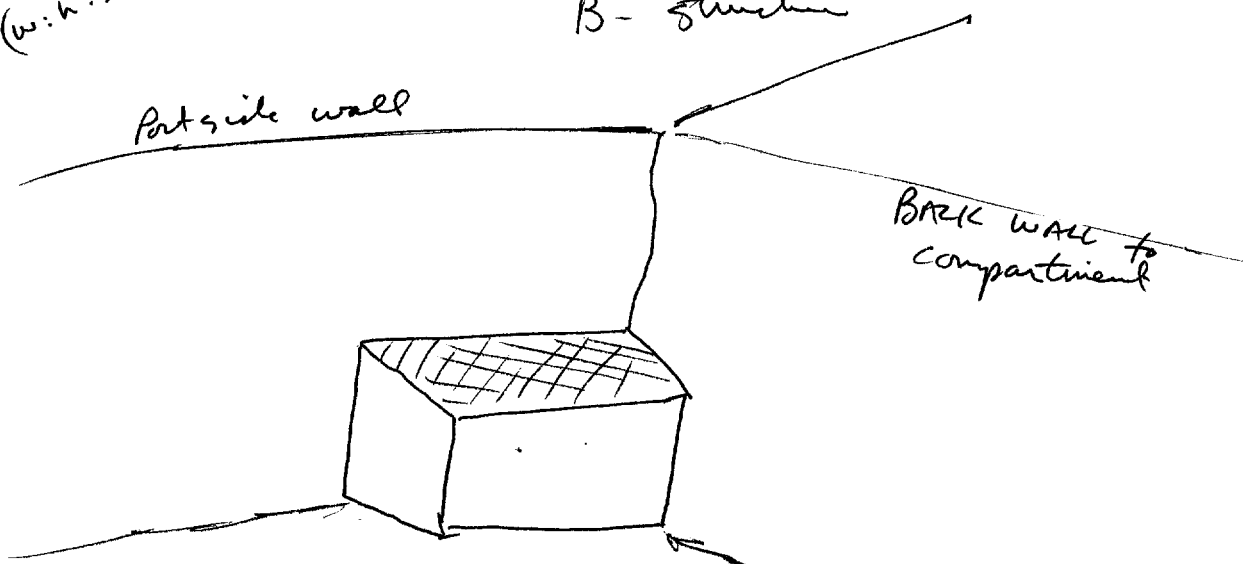


- something that is collapsible  
or can fold up

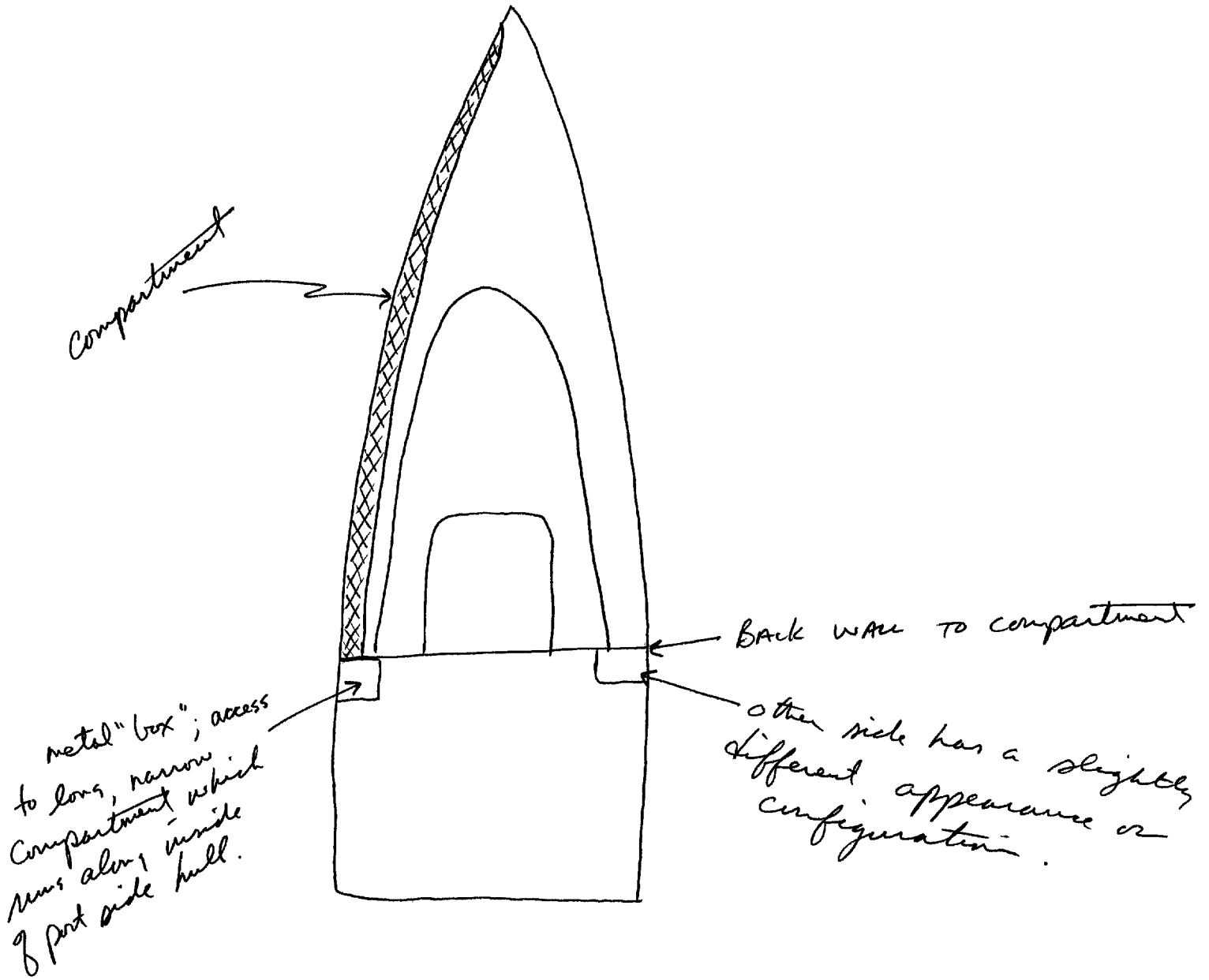
AOL  
Like an awning

Measurements are in  
proportion 1:1:2.  
(w:h:l).

A - hand  
manmade  
B - structure



- white, heavy metal box w/ corrugated or  
rippled top; appears to be welded joint  
of the vessel. Welded and painted shut.

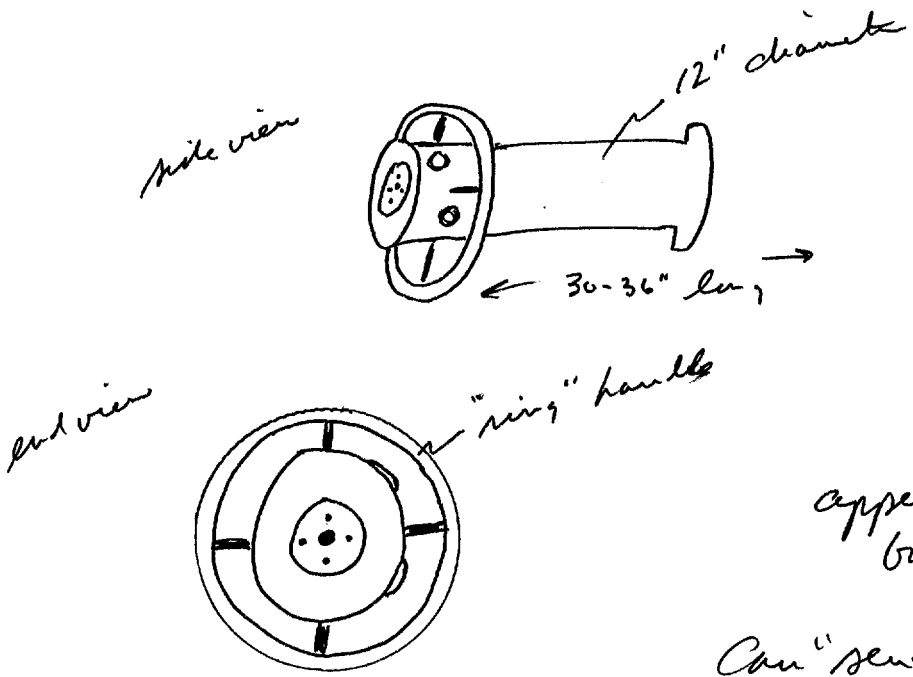


green  
square  
rounded corners

AOL  
Stinger missile  
crate or  
carrier,

Bench-like seats along part side of cabin compartment. Seat part lifts up. Something peculiar stored in there.

- round w/ ring-type handles
- dials or circles



appearance of brushed metal

Can "sense" and generate

A.I. BK  
That's weird;  
seems contradictory

MAL...  
or  
MEL....

- artwork in side
- spherical objects



- 5)
- Navigational charts
  - Rack for cylinders
  - 4th from right; some how significant.
  - Is a lighter color.

Coiled tubing, or ~~hose~~ hose  
Extra antennas; appear  
as "guide" lines or  
non-functional wires.

- vessel has been remodeled;  
walls or floors are  
different some how from  
the original.

pistol

unsuspecting passengers  
on board.

AI BK I L AOL A/S

SG1A

[is the [redacted] currently involved with narcotics trafficking?]

Yes.

[what is nature of contraband?]

~~crack cocaine~~ no.

- light, powdery, yet not like cocaine.
- maybe crack cocaine; it's different.
- almost like brown sugar

← AI BK <sup>AOL</sup> Mexican Brown Heroin  
 Shit ... that blows it.

- somebodies or hat is significant
- a nickname maybe

[How is this stuff wrapped & stored?]

coffee cans?

no way

metal containers

Cans or cylinders

AI BK

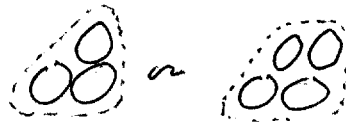
Doesn't make sense; metal is too easy to detect with a magnetometer (or magnet for that matter)

[How is the contraband wrapped & stored?]

PCV pipe

Long sections

3, sometimes 4, tubes



[Determine intermediates & find destination of narcotics]

ACL  
Palo Alto  
Menlo Park

CALIFORNIA

Too much ACL

ACL  
Los Angeles  
Tahoe  
Las Vegas  
Reno

Carpet or fabric distributor

Don't know!

ET IIII