

Phase 2

SESSION SUMMARY

A. SESSION DATA:

Task/Target No. 91-22-0 Source No. 049
 Date Task Received 9 Dec 91 Date Summary Returned 11 Dec 91
 Session Date 11 Dec 91
 Target Designator 716312 Session Start Time 1000
~~XXXXXXXXXXXX~~ 588857 Session Stop Time 1100
 Beacon/Sender No. NA Session No. 01
 Session Type S Session Method CRV
 (M)onitored, (S)olo (CRV, ERV, WRV, etc.)
 Monitor No. (if any) NA Estimate of Outcome M-H
 (High, Medium, Low)

Possible Session Aids/ Distractions: PI's: back ache; external noises; billet situation
AV's: male, well dressed; either colorful or all clothes or surroundings.

B. SESSION SUMMARY: (Below, or see summary and worksheets attached)
'see attached'

This document is made available through the declassification efforts
and research of John Greenewald, Jr., creator of:

The Black Vault



The Black Vault is the largest online Freedom of Information Act (FOIA)
document clearinghouse in the world. The research efforts here are
responsible for the declassification of hundreds of thousands of pages
released by the U.S. Government & Military.

Discover the Truth at: <http://www.theblackvault.com>

plumb
049

Summary of Information

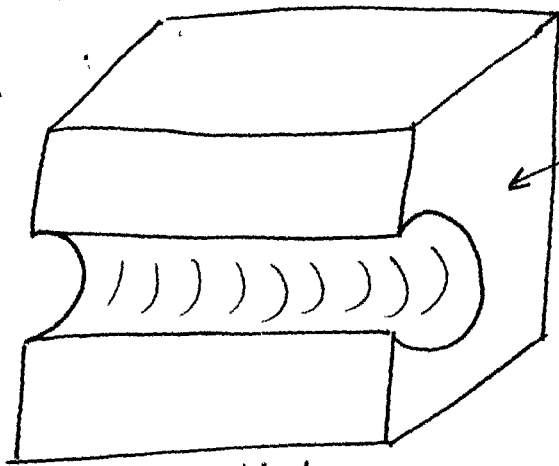
The individual is a man with dark hair and dark eyes. His facial features, especially his eyes, have a "weasel" like expression/appearance. He is dressed in dark blue clothing. The general impression is that this person is in, or has been in, an upper floor or level of a relatively tall structure. This location sits high above a sidewalk and/or street. This is the 30th or 33d level or floor of this building. In addition, the number(s) 30 and/or 33 are important to this person. If he has a choice, he will choose one or the other of these numbers.

The terms "lackluster" and "prime" or "primal" are applicable to this individual. He is concerned with "bridging a gap"; that is, he is attempting to "fit" different processes or functions together...a "linkage" as it were. He is sitting at a table looking over a series of large, white papers reminiscent of engineering schematics which are spread out. He is analyzing this problem of "linkage".

The structure is tall and occurs within a dense urban area. However, this urban area is surrounded by a wild or exotic environment. The diversity of fish and game species which are present is, for some reason, important. A line of mountains can be seen in the distance. This building occurs within an area of an conglomerate of angles, lines, squares and movement. A river divides this area of confusion. I want to say South America and specifically Brazil, but something isn't correct about this guess.

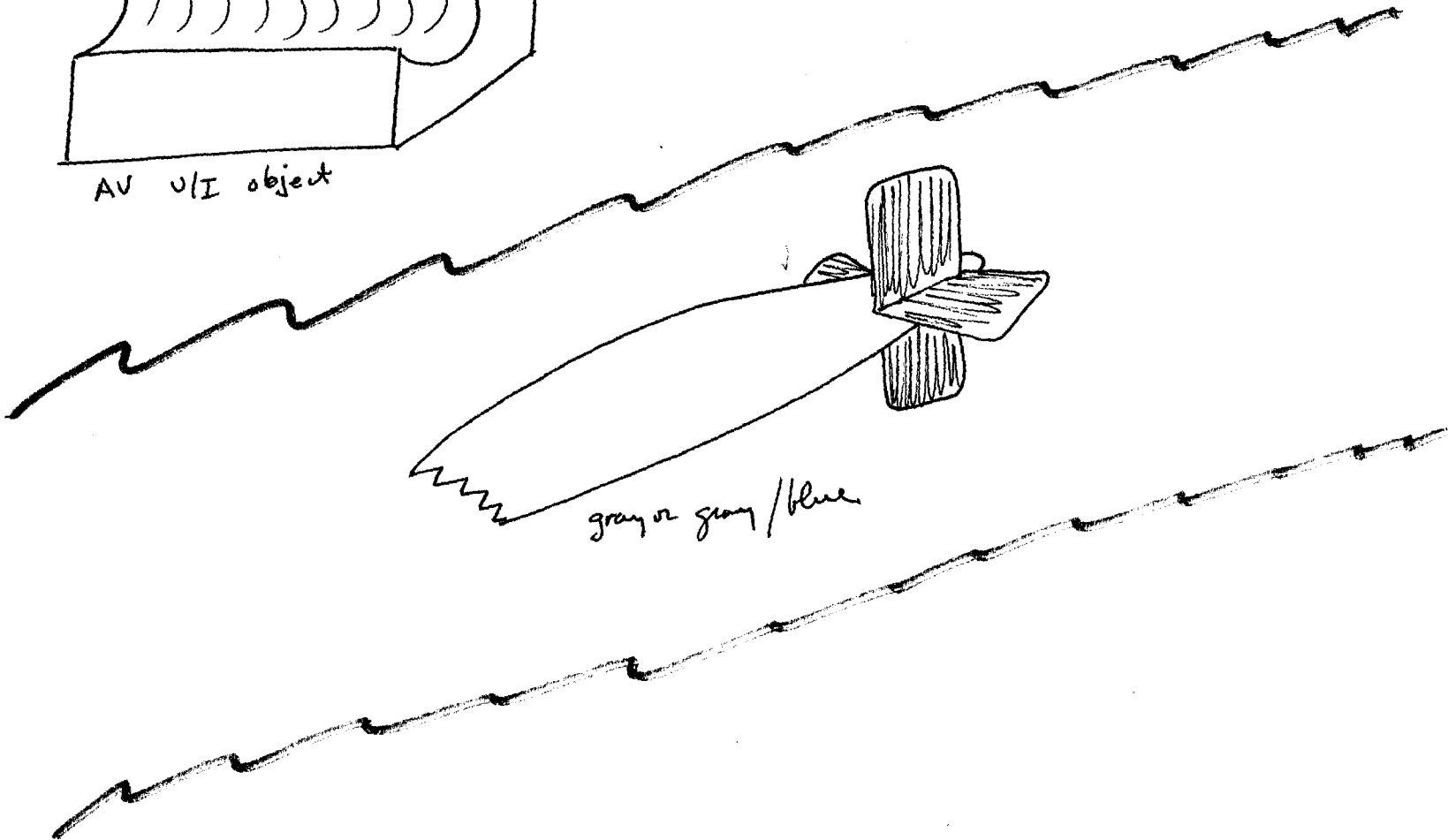
Nearby are flat sheets which glimmer as if a curtain of water is flowing over a monumental-sized piece of glass. There is a grinding noise and construction nearby as well.

For whatever reason, "shoes" are significant to something or someone.

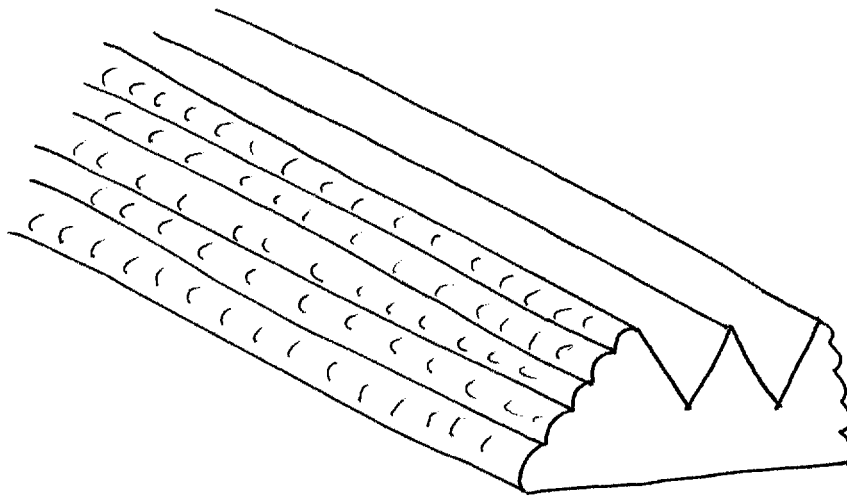
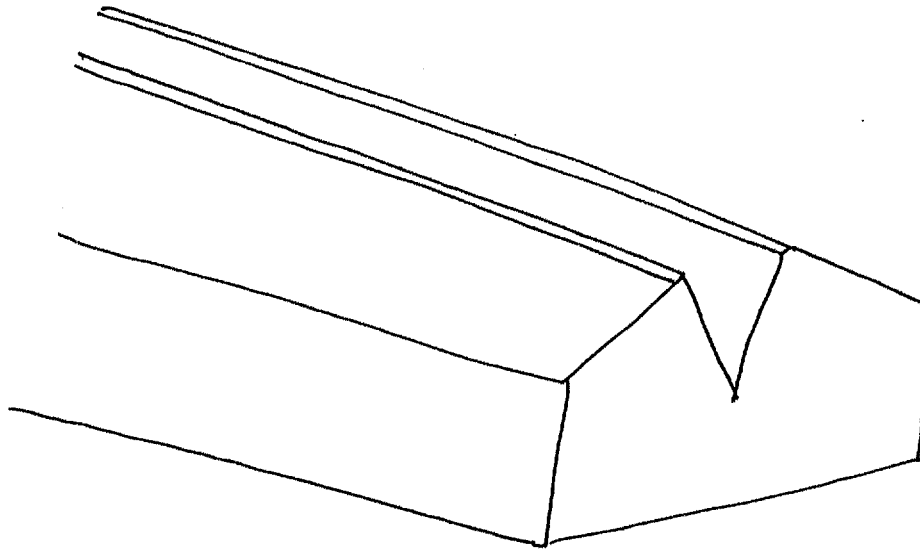


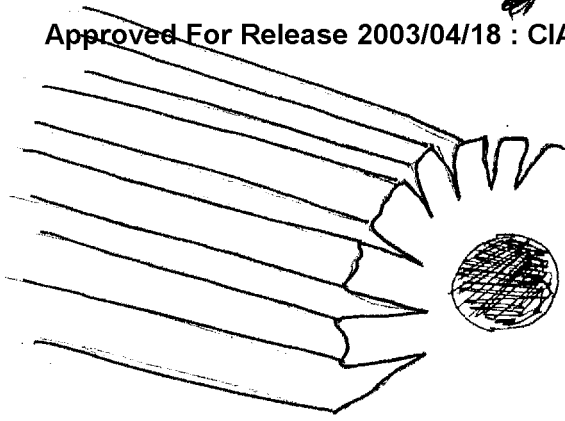
yellow

AV U/I object



gray or gray/blue

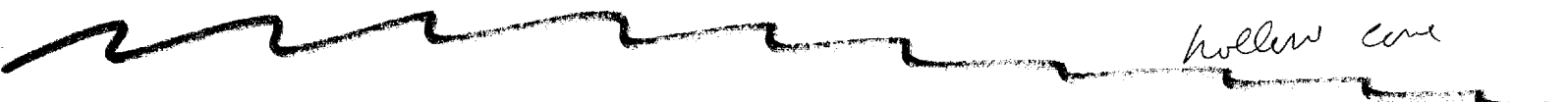




very dark or black;
not hollow but recessed
from end

x Has cracked or deteriorating
edges. Just part of this object
has a metallic feel.

energy or electricity

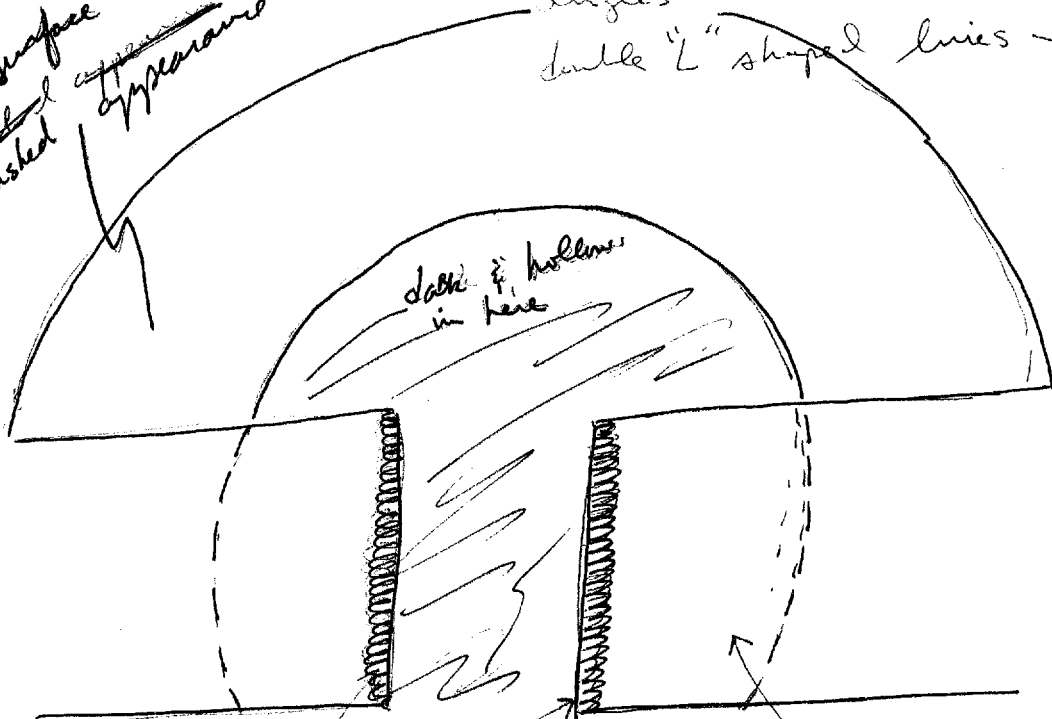


hollow core

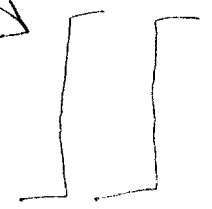
This surface has a
brushed
appearance

52

angles
double "L" shaped lines



double "L" hollow
in here



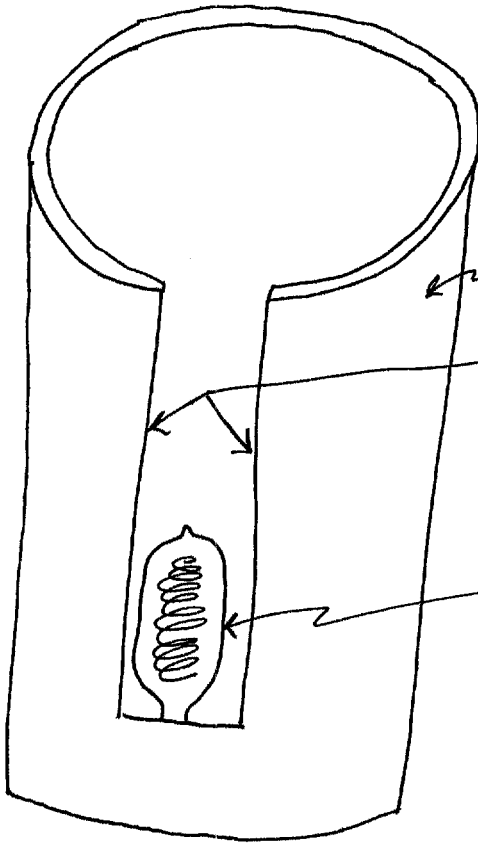
PI BK

Damn fine sieves

Tightly
coiled features
on either side

Roundness of hollow continues
behind this wall / barrier

-- SIDE VIEW

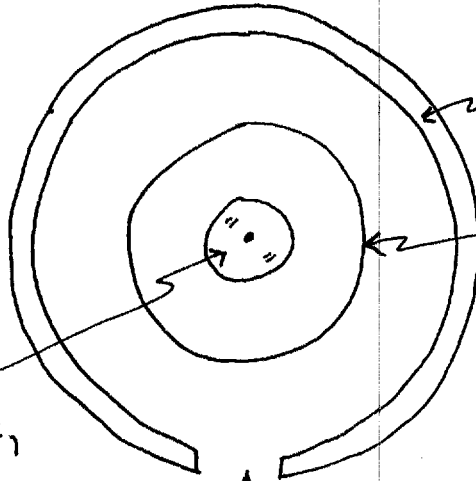


metal casing

"Slot" or opening runs most of the height of this object

Shiny, "glassy" object w/ spirally material in side of it. This object sets on a raised section in the center of the metal casing part.

-- OVERHEAD VIEW --



metal casing

raised section

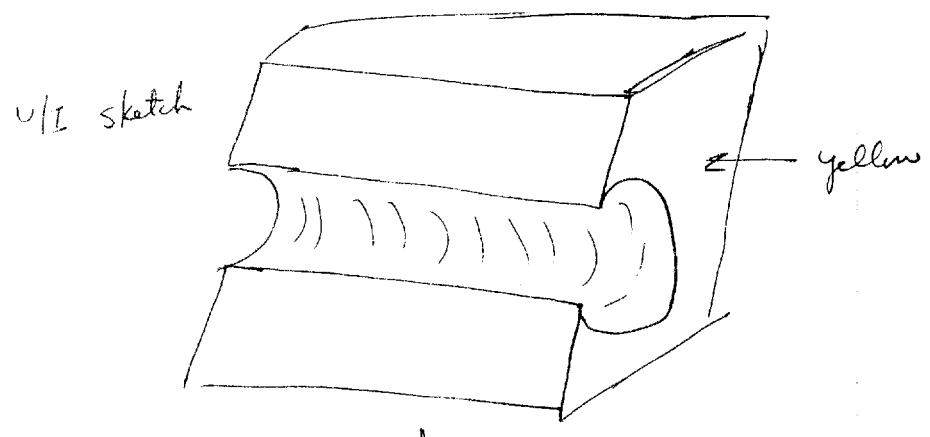
Shiny, "glassy" object w/ spirally inside

opening

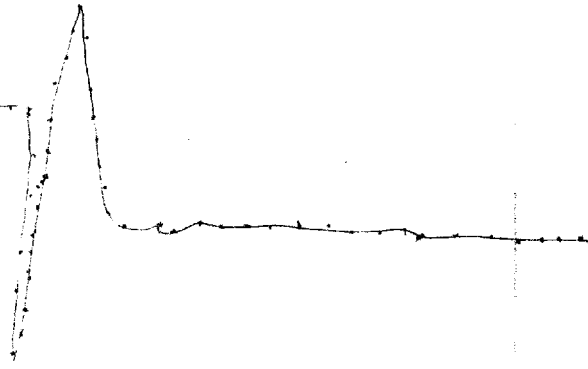
PI - back aches; extreme noise;
uncertainty of bullets here, etc.

AV - male; well dressed; with
colorful clothes in
surroundings.

049
Ft Meade
11 Dec 91
P: 91-22-0
S: 01
ST: ~~0930~~
1000
ET: 1110



716312 538857



A - across, angle
down, angle up,
sharp angle down
curve forward,
slightly wavy
line across.

- hard
manners

B. structure

APC

Dash automobile

A - hard
manners

B - structure

APC

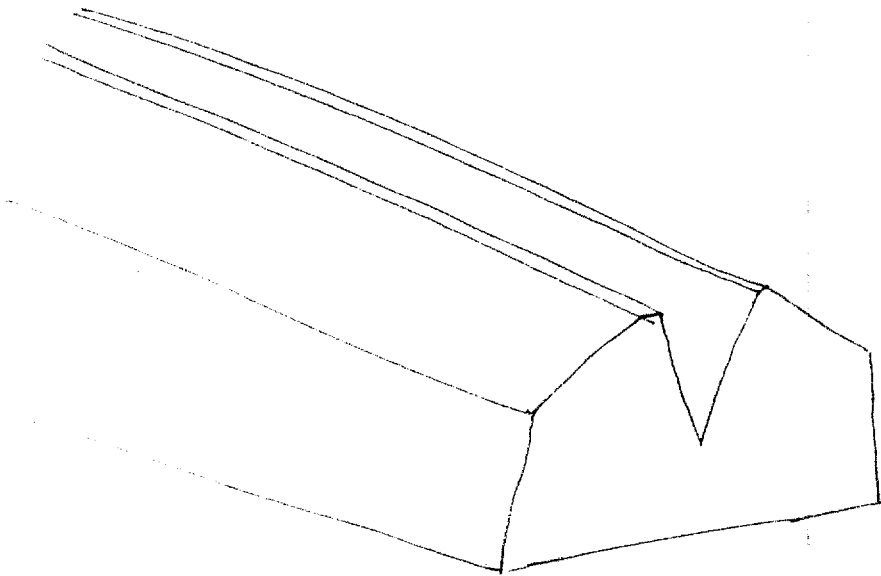
Side of full building;
pent house, etc.

A/S

Dark blue clothing
~~or~~
black

AOL

Top Iraqi nuclear
weapons scientist
(the dickhead who
confronted the UN
inspection team).

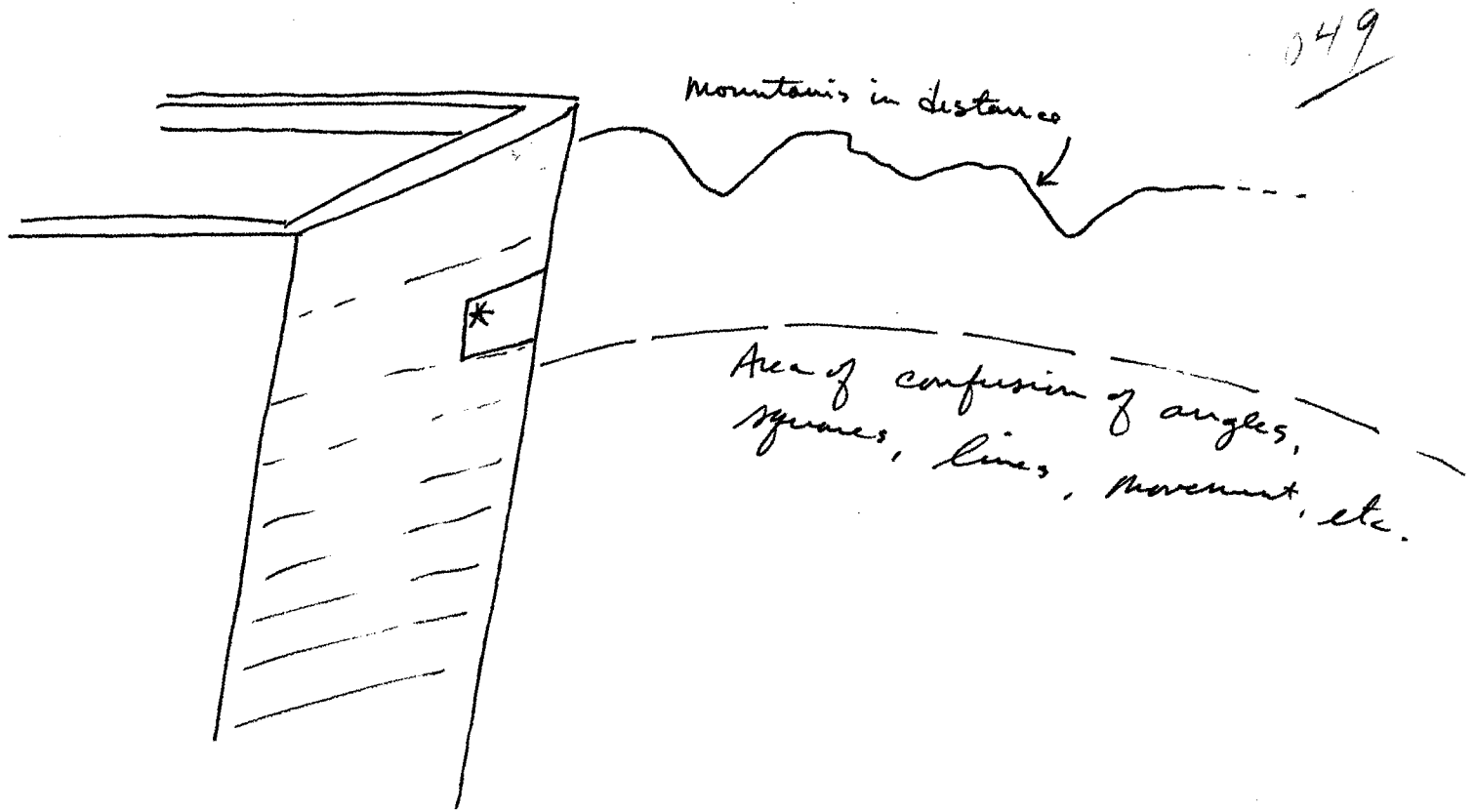


U/I figure

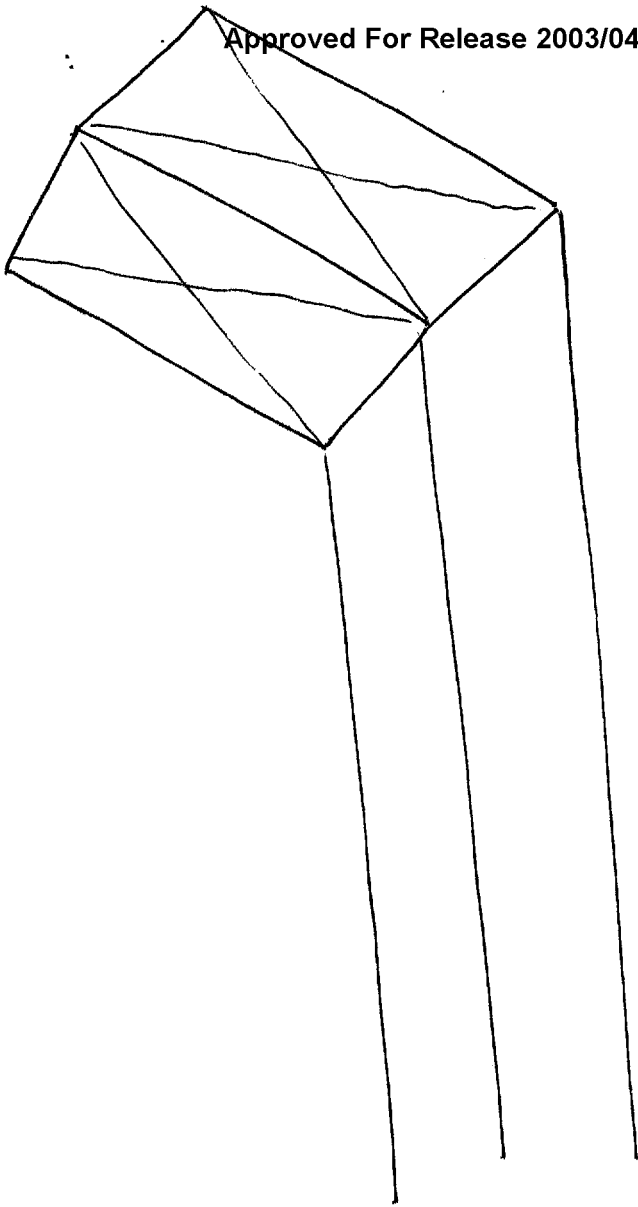
white socks

AOL

Scene of dismantled
Iraqi refining
equipment



* 30th or 33d floor or level of structure



Large, enclosed "chute"
or "duct"; shiny gray.
Size dwarfs a human being

Concepts:

Dusty; processing;
milling; Refining, etc.



Conically-shaped object; a stream of
something (a beam of light or energy)
randomly bounces around inside of
this, striking the bottom surface. Rapid
movement; gives one the sense of a
"dancing" neon light. Very
hazardous.

SZ .. D.
yellow

stripes or ribs

angles

cracked or deteriorated edges
metallic feel
just part of it.

black lines or bars

circles
squares
round
spherical
wavy lines

connect
↳ bridging a "gap"

[Describe personality "A"]

lock luster

prime or primal

lots of angles

AOC
Abstract art

Dark hair
Dark eyes

Wearied like expression

AOC
Give me a break

7)

AI

EI

T

I

AOL

A/S

[A's current ~~relationships~~ activities]

sitting at table

white paper spread out
analyzing

Engineering A/S
Schematics for



attempting to "fit"
different things together

* like processes or
functions

linkage

- Side view -

AOL

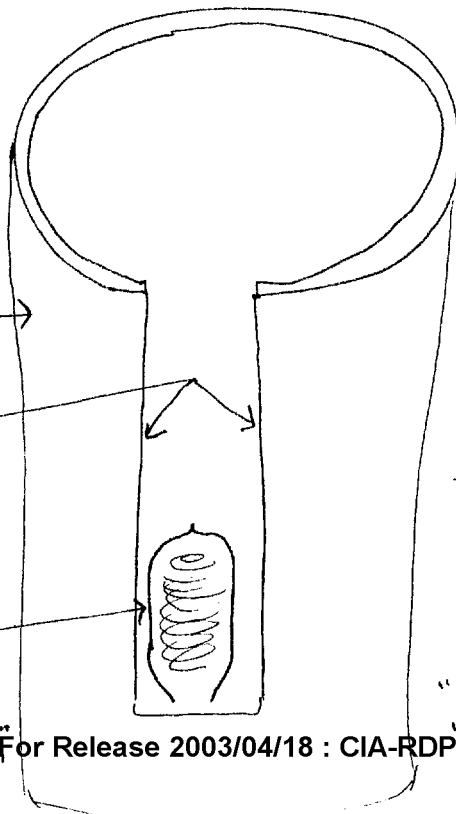
Nucleus crop

- overhead view -

metal casing

slot or opening
was most of the
width of the object

shiny, "glassy" object
w/ spirals, in hole of
it sets on a raised
section right in the
center of the case
part



shiny, "glassy" object
w/ spirals
inside

casing

raised
section

opening

[A's Surroundings]

5/12 ^{A/S} Tall build; w/i a highly dense urban area; but urban area is surrounded by wild or exotic environment. I want to say S.A., Brazil, but something isn't correct.

30 or 33 ft floor of this building

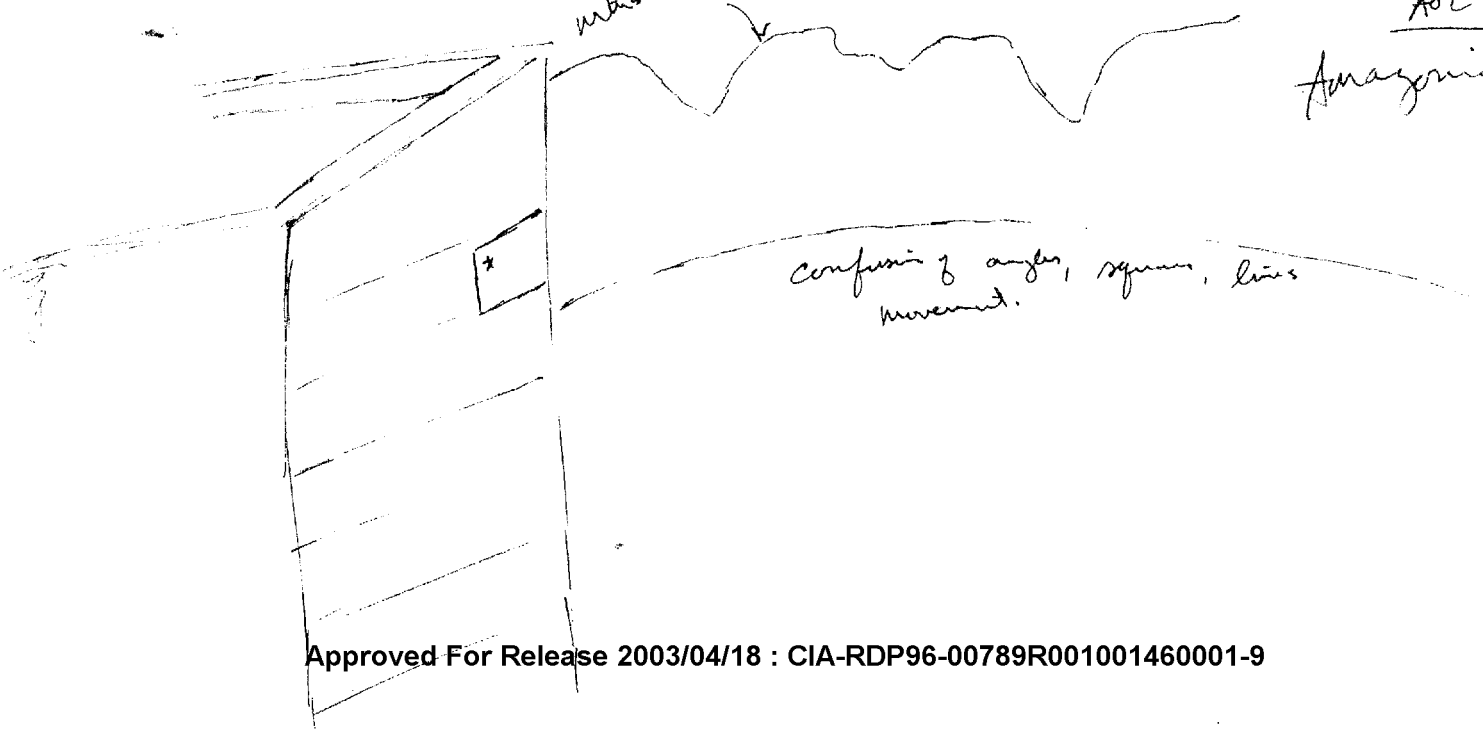
gender; construction

why?

fish; game important species diversity

notes in distance

AOL
Amazonia



42
sullz

The #(s) 30 & 33 are important to this person; if he has a choice, he will choose one or the other.

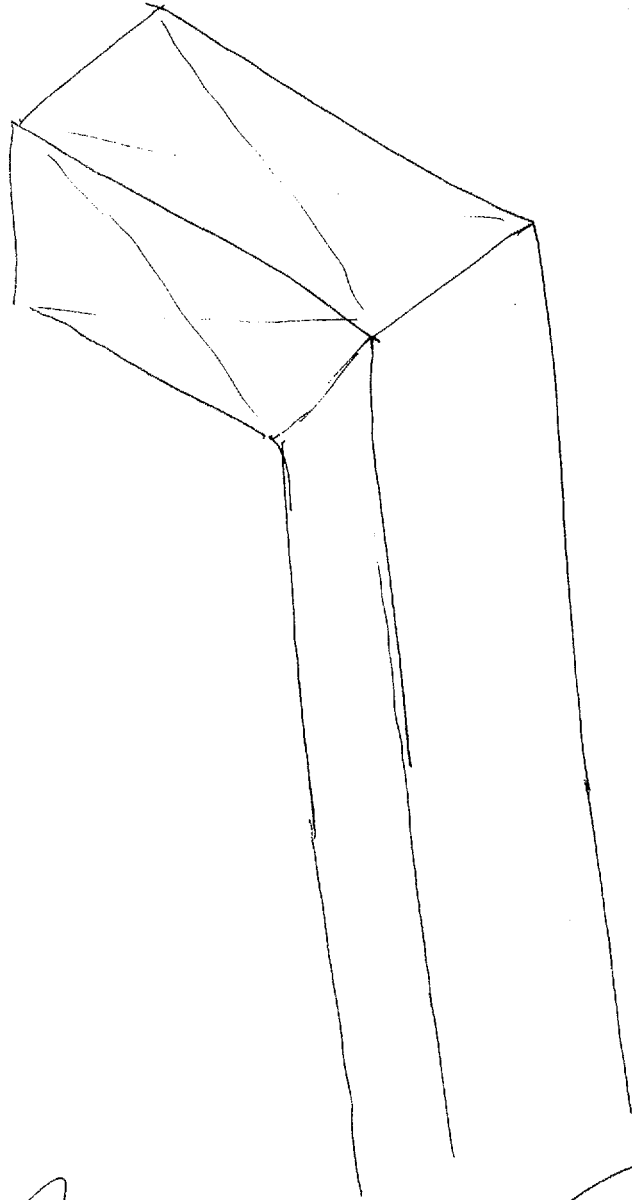
[A's surroundings] #

gleaming, flat sheets,
like a curtain of
water flowing over
the a monumental
piece of glass.

River divides confusion

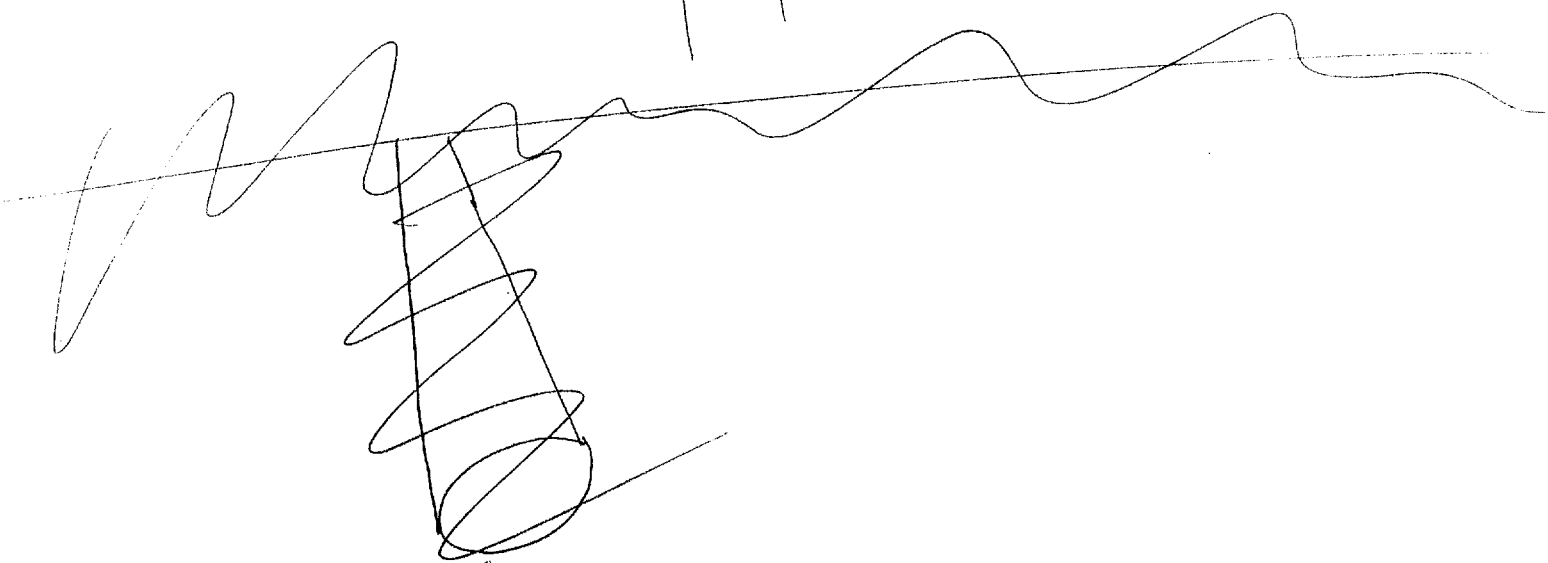
A/S
Large Bangkok
city along
river.

shows feel significant



large enclosed
"chute" or duct; shiny
gray. Dwarfs a
human being.

Dusty; processing,
milling, refining, etc





* Conically shaped object;
a stream of something;
(a beam of light or energy)
randomly bounces around
inside of this, striking the
bottom surface. Rapid
Movement; gives me the
sense of a "dancing"
neon light. Very
hazardous.

ET
1110

Phase I

SESSION TASKING SHEET

Source No. 049

Date Task Initiated 9 DEC '91

Suspense Date COB 11 DEC '91

Task/Targeting No.: 91-22-0

~~Method~~ Method/Technique: Method of choice.

Target Data Desired:

1. DESCRIBE KEY TARGET FEATURES (include forms, shapes, spatial aspects, color, motion/dynamics):

- Emphasize the following: _____
- Do the following perspectives:
 - Ground-level
 - Overview
 - Other: _____

2. IDENTIFY KEY TARGET CONTENT (include meaning, purpose, function, nature of activity, type/nature of people, if present):

- Emphasize the following: _____



*

3. IF PERSONALITY, ~~NAME~~:

- Describe personality identified as TARGET "A."

~~ENVIRONMENT~~ (if checked):

- Describe A's surroundings.
- Describe A's current activities.

5. ADDITIONAL GUIDANCE: (see attached)

- This is an operational project.

- Optional coordinates: 716312/588857

A - wet
water

B - water

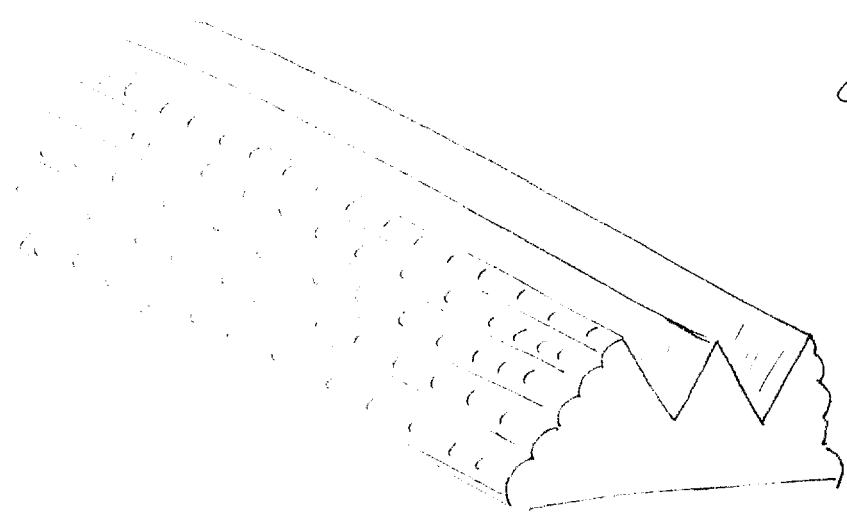
~~Ac~~ A/S

Waves crashing
along a breakwater

Trees
Ridge line

Ac ↓

Cedars of Lebanon



A - flat
open
smooth

B - water

PI/AI

Stomach is
growling - loudly!

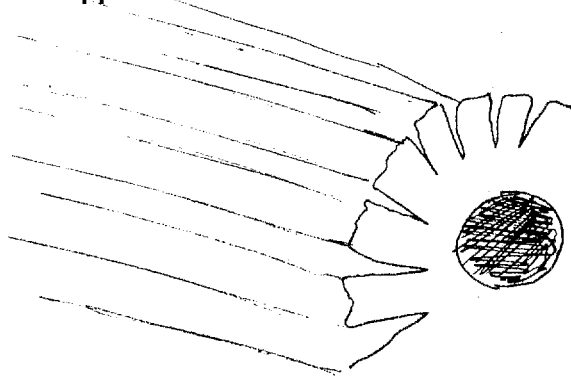
A - smooth
dusty
hot

B - land

Ac

Desert settle,

5)

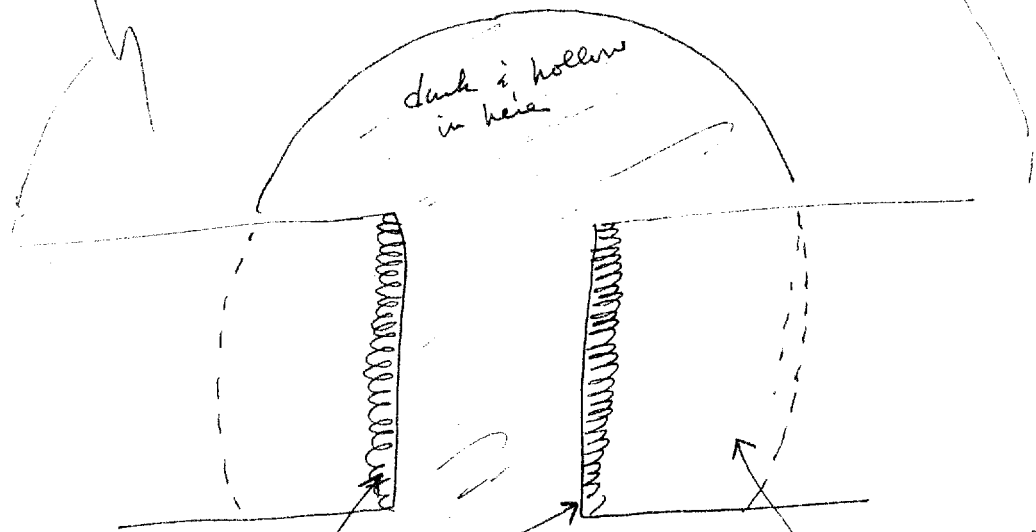


very dark or black;
not hollow but recessed
from end

energy or electricity
hollow core

This surface has a
brushed appearance

52
angles
double "L" shaped slices



PE BK
Darius fire screens

Tightly
coiled features
on either side

Roundness of hollow contains
behind this wall / barrier

§2

D

AI

EF

T

I

AsL

A/S

5/1/2 My feeling is is that this person is somewhere around ~~in somewhat distance~~ but not w/ the Middle East people.

[Location of Target]
[Surrounding]



gold or brass
bronze

lots of brass ring

AsL
Neck decorations
of some African
groups

52 D.

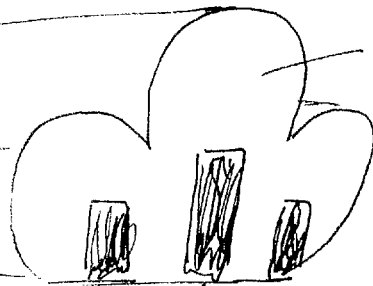
AI

EI

T I

3) A/C A/S

[Summery of Target]



gray stone or concrete
part of a structure

three "openings"
large face in profile

A/S
Sphinx
A/C
Egypt

door knob
hallway
window

[Look outside. windows - describe]

hot
yellowish air
stench of street smells

[what kind of smells?]

- sharp, acidic smell like urine
- rotten organic
- sharp, chemical smell

A/S
solvent

52

D

AI

EI

T

I

A/C

A/S

leather

A/C
Tel Aviv
old Joppa

smell of water, like
the breeze off of a large
body of water

~~A~~
A/S

Khartoum,
Sudan

- a smell like crushed
nuts or seeds
- not peanut butter,
but similar

A/S

Sesami seed
butter

54 1/2

The surrounding "wilderness" abruptly
comes to meet the edge of the city
on one side. It's as if the natural
environment is "sweeping" & encroaching
upon the side of the city. Looking out
of the window, this is on the left.

52

D

AI

EL

T I AOC AS

AT

This is all garbage

54/2 You place feels third world, middle-
east like, but it isn't the middle East.
I want to go south.

any time.

Vicinity of Kampala Uganda

ET 0940