

SECRET/STIPPLED/NOFORN

PROJECT SUN STREAK

WARNING NOTICE: INTELLIGENCE SOURCES AND METHODS INVOLVED

PROJECT NUMBER: 9026	SESSION NUMBER: 01
DATE OF SESSION: 18 MAY 90	DATE OF REPORT: 18 MAY 90
START: 1051	END: 1141
METHODOLOGY: CRV SOLO	VIEWER IDENTIFIER: 049

SG1A
SG1A

SG1A

1. (S/NF/STD) MISSION: The target is a vessel identified as the [redacted] a fifty-foot sailing vessel having a white hull and bearing a Registry Number, [redacted]. On 8 May 1990, the [redacted] departed Cartajena, Columbia enroute for the Island of Curacao at 12 30 N / 69 00 W. Curacao is located about 180 miles east of the Peninsula de la Guajira, Columbia. The ultimate destination of the drugs is believed to be somewhere along the southeast coast of the US. EEI is as follows:

- a. Determine the current location of the target vessel.
- b. Determine if the vessel is currently carrying drugs; if so, where stored aboard ship.
- c. Where and when will the target vessel off-load/transfer the contraband in the form of drugs.
- d. What is the ultimate destination of the contraband in the US.

2. (S/NF/STD) VIEWER TASKING: Encrypted coordinates, a map, and the information/requirements stated in the mission statement above.

- 3. (S/NF/STD) COMMENTS:
- 4. (S/NF/STD) EVALUATION:
- 5. (S/NF/STD) SEARCH EVALUATION:

079

HANDLE VIA SKEET CHANNELS ONLY

SECRET/STIPPLED/NOFORN

Referral Review by NIMA/DoD

CLASSIFIED BY: HQDA (DAMI-PO)
DECLASSIFY ON: OADR

This document is made available through the declassification efforts
and research of John Greenewald, Jr., creator of:

The Black Vault



The Black Vault is the largest online Freedom of Information Act (FOIA)
document clearinghouse in the world. The research efforts here are
responsible for the declassification of hundreds of thousands of pages
released by the U.S. Government & Military.

Discover the Truth at: <http://www.theblackvault.com>

SECRET/STD

WORKING PAPER

14 MAY 1990

JT-4-0018-90

TASKER

1. PROJECT: 9026.
2. ENCRYPTED COORDINATES: 528908/233506.

SG1A

3. BACKGROUND: The target is a vessel identified as the [redacted] a fifty-foot sailing vessel having a white hull and bearing "Registry Number [redacted] On 8 May 1990, the [redacted] departed Cartagena, Colombia, en-route for the Island of Curacao at 12 30 N / 69 00 W. Curacao is located about 180 miles east of the Peninsula de la Guajira, Colombia. The ultimate destination of the drugs is believed to be somewhere along the southeast coast of the US.

4. ESSENTIAL ELEMENTS OF INFORMATION:

- a. Determine the current location of the target vessel.
- b. Determine if the vessel is currently carrying drugs; if so, where stored aboard ship.
- c. Where and when will the target vessel off-load/transfer the contraband in the form of drugs.
- d. What is the ultimate destination of the contraband in the US.

SG1A
SG1A
SG1A

SECRET/STD

18/05/90
Prosecutor
N. M. A. G.

REPORT OF REQUESTED INFORMATION

Requestor Task # 97-4-0018-90
DSCINT Task # 9026

Source # 049
Date to Proj. Ofc. 5-18-90

ESSENTIAL ELEMENTS OF INFORMATION REQUESTED IN ORDER OF PRIORITY

1. Determine the current location of the target vessel.

RESPONSE: 79°W 19°20'N ; Between Jamaica and Grand Cayman Island; headed in a north-westerly direction

2. Determine if the vessel is currently carrying drugs, if so, where stored in ship.

RESPONSE: Yes; however, they are not a conventional type of cocaine. Contraband is hidden within bow cavity of vessel, packed in long tubes.

3. When & where will the target vessel off-load/transfer the contraband

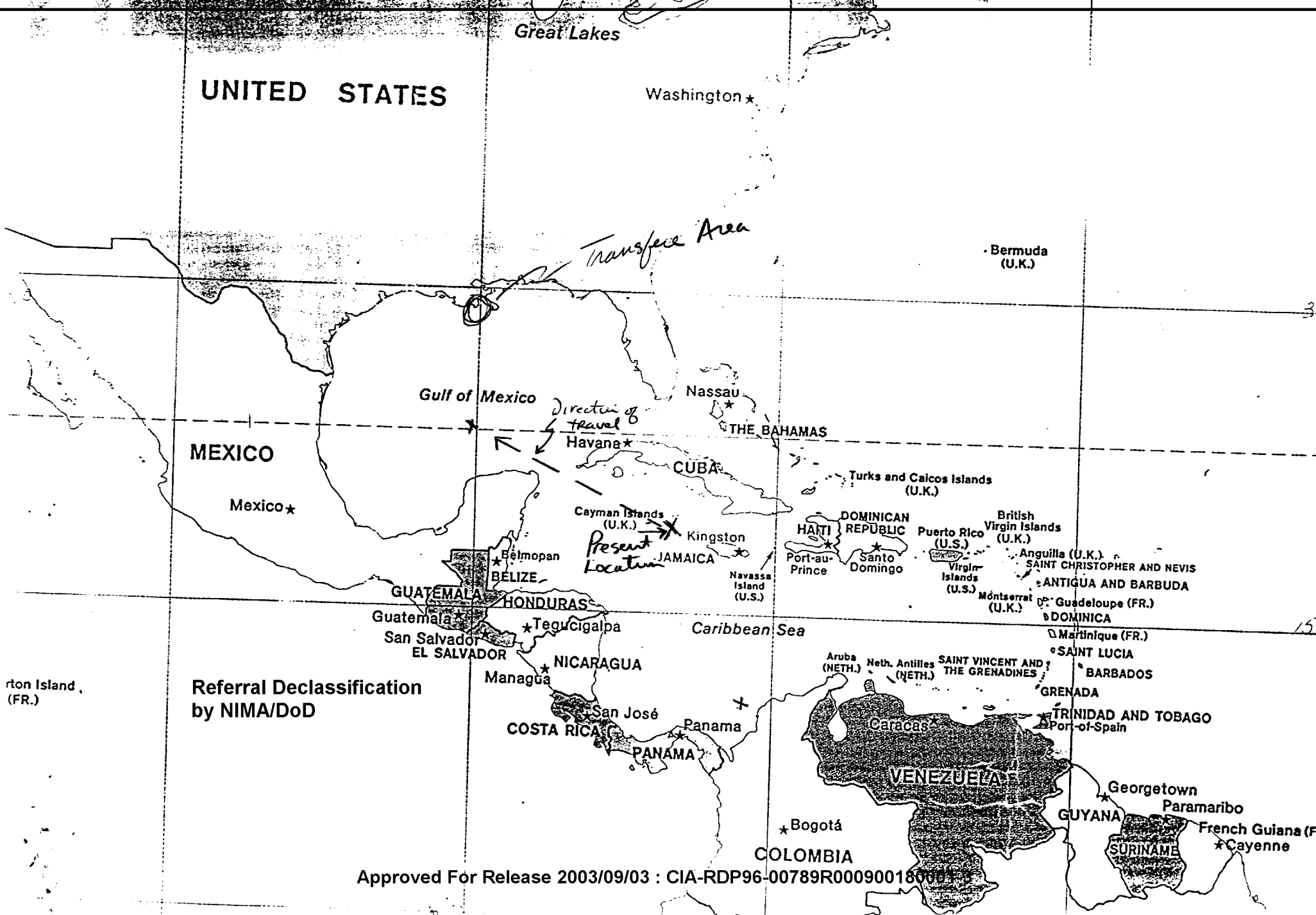
RESPONSE: Memorial Day PERIOD (± 2 days); south of Terrebonne Bay, Louisiana; off shore transference; see sheets
~~_____~~

4. What is the ultimate destination of the contraband in the US

RESPONSE: A location ~~associated~~ associated with the name FLAMBEAU OR FLANAREAUX

PROJECT OFFICER'S COMMENTS _____

(CLASSIFICATION)



Referral Declassification by NIMA/DoD

SECRET STIPPLED/NOFORN

Working Papers

P: 9026
V: 049
D: 18 MAY 90
T: 1051-1141
S: 01

Summary of Information

The target vessel is currently located at 79 W 19 20 N, between Jamaica and Grand Cayman Island. It is traveling in a northwesterly direction. The target is carrying contraband. However, the narcotics are not a conventional type of cocaine; it is solid, dense and tightly packed. The contraband is associated with long tubes which resemble the type used for storing navigational charts. These tubes, in turn, are hidden within a cavity in the bow area of the vessel.

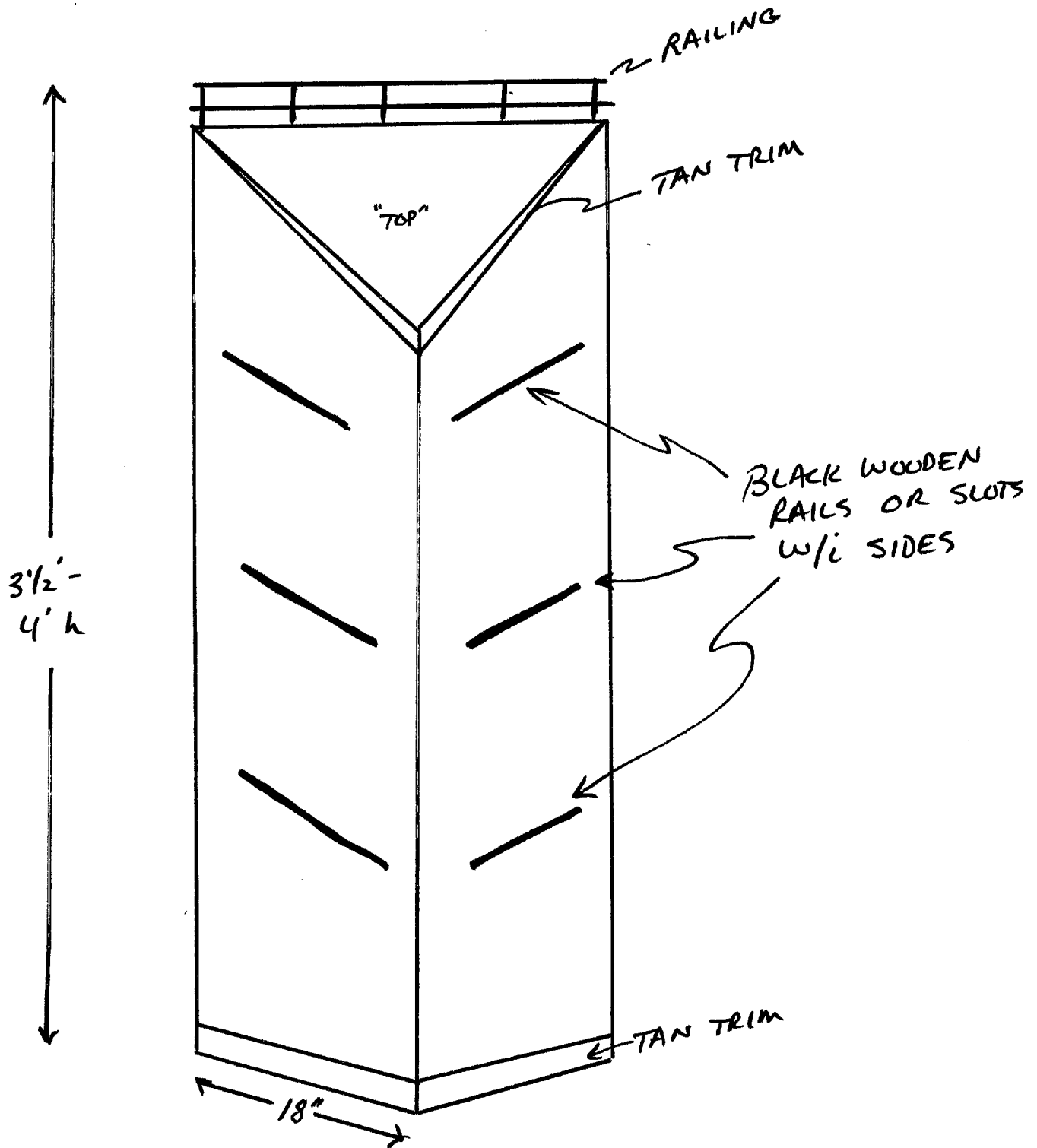
The contraband is to be transferred to another vessel at sea south of the Terrebonne Bay area of southern Louisiana (between 90 and 91 degrees W and 28 and 29 degrees N). This will take place during the Memorial Day period (+/- 2 days). The vessel receiving the cargo resembles a small fishing trawler or "shrimper". Its nets are frayed and the characters "V, T, 7, 0 and 3" are associated with this boat in some way. There is a tall, heavy-set man with a heavy black beard and untucked flannel shirt on the pick-up boat. The pick-up time is early morning and it is gray and foggy. The pick-up boat will come from an area which is predominately tidal estuary.

The destination of the contraband is a location associated with the name of Flambeau or Flanareaux.

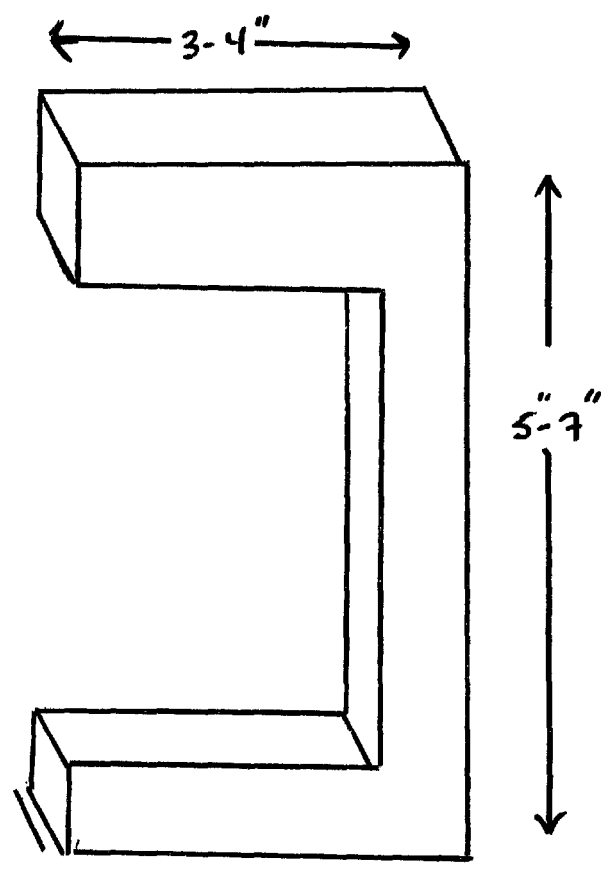
The tubes which are associated with the contraband are 3 1/2 to 4 inches in diameter and 3 feet long. They resemble navigational chart tubes. These tubes are both stacked vertically and horizontally a cavity in the bow of the vessel. The tubes rather resemble a bangalore torpedo. The cavity occurs behind the bow-side wall of a small room or where a passageway widens a bit. There is a triangular shaped wooden object which sits center and attached to this wall. Cushion covered benches abut on either side of this wooden object. There are windows or portholes above some of the benches (see diagram).

The wooden object is reddish with tan trim. It is approximately 3.5 to 4 feet tall and 18 inches on a side. A small railing runs along the top, rear edge. The entire object is well constructed and very polished. There are 3 black wooden rails attached to, or 3 slots cut into, each of the two front sides (see diagram). This triangular wooden object has something to do with the access to something; possibly the bow cavity.

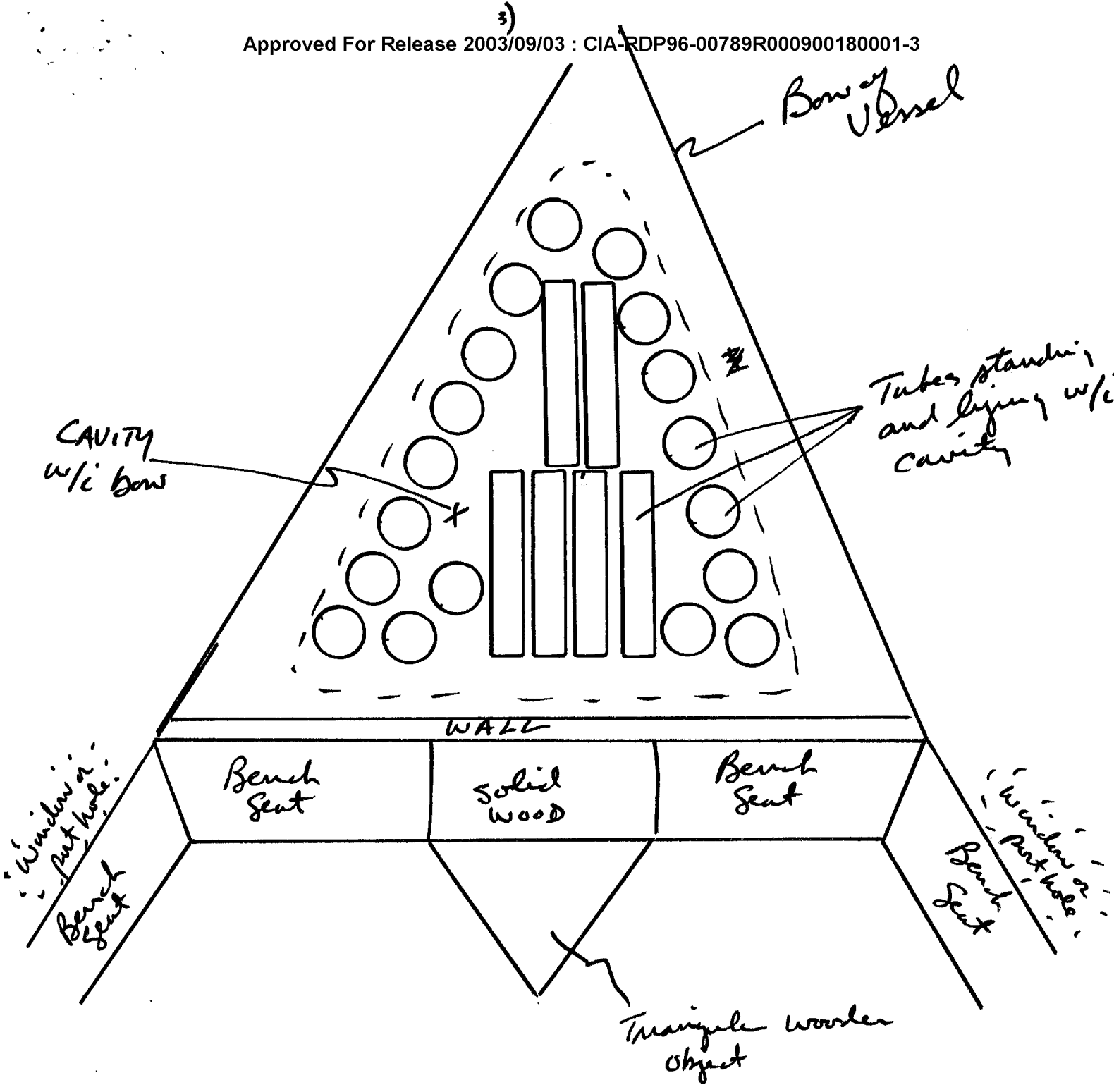
Handle Via Skeet Channels Only
Secret



Standing, wooden triangular shaped object. Reddish color with tan trim. Small railing along back top. Approximately 3 1/2' - 4' tall, 18" wide. Well constructed, nicely polished.



OBJECT ASSOCIATED WITH LARGER
TRIANGULAR WOODEN OBJECT



PLAN SKETCH (No Scale)