

~~SECRET~~

PROPOSED PHASE II

IN-HOUSE FY 79

GRILL FLAME PROJECT (U)

CLASSIFIED BY: HQDA (DAMI-ISH)
WASH DC DTD 7 JUL 78
REVIEW ON: 7 JUL 98

Incl 1
AIMS'A'A 702^{Cy 7} 1979

~~SECRET~~

This document is made available through the declassification efforts
and research of John Greenewald, Jr., creator of:

The Black Vault



The Black Vault is the largest online Freedom of Information Act (FOIA) document clearinghouse in the world. The research efforts here are responsible for the declassification of hundreds of thousands of pages released by the U.S. Government & Military.

Discover the Truth at: <http://www.theblackvault.com>

~~SECRET~~

CAUTION

(S-ORCON) This document was prepared by the Assistant Director for Systems Effectiveness and Joint Service Activities of the US Army Materiel Systems Analysis Activity. It represents the planned in-house AMSAA second phase effort in the "Remote Viewing" (RV) area of para-psychology for FY 79 which will be accomplished within the "AMSAA Remote Viewing Protocol" of 26 March 1979. It does not represent any position of AMSAA, DARCOM, Department of the Army or the Department of Defense.

(S-ORCON) ACSI Message 0516302 Jul 78 directs all Army involved with RV to be classified SECRET-NOFORN and that the unclassified code word "GRILL FLAME" be used for such efforts. The 24 August 1978 meeting of the DOD Committee on RV Activities resulted in direction that papers and reports associated with the program be identified as SECRET, ORCON.

~~SECRET~~

~~SECRET~~

PROPOSED PHASE II OF IN-HOUSE FY 79 GRILL FLAME PROJECT (U)

INTRODUCTION (U)

(S-ORCON) We propose a three stage remote viewing (RV) exercise using map coordinates as the only specific target descriptors provided to the AMSAA RV team until after they complete the development of target description (TD) portion of the exercise as the photographs of the targets will be used to independently evaluate the correspondence of the RV produced TDs to the actual targets. In this exercise we will also explore some techniques for producing TDs thru multiple remote viewing (MRV) of targets via map coordinates. All RV efforts will be performed within the constraints of the "AMSAA Remote Viewing Protocol" of 26 March 1979.*

OBJECTIVE (U)

(S-ORCON) The primary objective of phase II is to perform RV, using map coordinates as the only information on the target provided to the AMSAA RV team, for the purpose of generally challenging/validating the SRI documented coordinate RV. Secondary objectives are as follows:

1. Subject coordinate RV to description-target matching with more targets than descriptions.

2. Obtain some first hand experience with MRV from the standpoint of producing and refining TDs as well as to compare the correspondence of MRV produced TDs to actual targets to that of single RV produced TDs to actual targets.

GENERAL DESCRIPTION (U)

(S-ORCON) Phase II began with informal familiarization sessions utilizing sketches in sealed envelopes and map coordinates of nine various general types of terrain features, these sessions will progress thru rigidly controlled efforts utilizing AMSAA's Security Office as the target pool controller. This latter set of targets will be composed of a set of distinctive landmarks with little or no clutter** in the immediate surroundings; these are intended to provide highly unique TDs which, if they have say only 50 percent specific detailed correspondence to the actual target, will be easily reconizable as corresponding to that one target. Given that such results are produced we believe that a much more uncontestable coordinate RV experiment should be attempted with reasonably open prior notification of objectives, measures of effectiveness (MOE) and target coordinates. In performing the exercise, we

* Approved by TSG Ad Hoc Human Use Review Board on 26 March 1979.

** Clutter is considered to be objects common to many landmarks such as roads, telephone poles, etc.

~~SECRET~~

~~SECRET~~

plan to maximize within practical limits the credibility of RV thru addressing the following four critical issues⁽¹⁾ on RV targeting:

1. Prior knowledge
2. Blocking information
3. Secure targeting
4. Specificness and uniqueness of RV descriptions.

PLANNED STEPS (U)

(U) The twenty some steps planned for phase II are listed in Table 1 and are enumerated below.

1. (S-ORCON) FAMILIARIZATION SESSIONS. These sessions are intended to accomplish the following:

- a. Familiarization of three or more AMSAA remote viewers with coordinate remote viewing.
- b. Testing the adequacy of target control techniques to adequately block target information from the RV team until RV descriptions are developed and transferred from the RV team.
- c. Provide a basis for developing a coordinate RV protocol (step 3) for the trial and final runs (steps 14 and 19).
- d. Provide a readily produceable set of RV TDs of very unique landmarks which are easily matched to the appropriate targets or rejected by casual inspection.

2. (S-ORCON) DEVELOP MOEs. This step is an interaction one between evaluators and the RV team to define before the trial and final RV sessions the measures of effectiveness which will be used in the evaluation of RV produced TDs. This has not been done in the previous RV efforts, the TD production and the evaluations have been basically independent free play with the RV team not knowing specifically what the evaluators would deem important and what would be evaluated as noise. These will be documented before the trial sessions start.

3. (S-ORCON) DEVELOP TARGET SELECTION CRITERIA. Utilizing the MOEs a set of target selection criteria are to be developed which will provide a full spectrum of target possibilities within the MOEs. These criteria

(1) "Some Critical Issues on Credibility of a Long Term Procedure." AMSAA Discussion Paper, December 1978. Kramer, Phillips, and Taylor.

~~SECRET~~

~~SECRET~~

TABLE 1. PHASE II STEPS (U)

PROPOSED PHASE II IN-HOUSE FY 79 GRILL FLAME PROJECT (U)

1. Familiarization Sessions
2. Develop and Document MOEs
3. Develop Target Selection Criteria and Document
4. Develop Precise Coordinate RV Protocol and Document
5. Develop TD Evaluation Procedure
6. Determine Quantities of Targets for Runs
7. Select Targets and Determine Coordinates (STDC) for Sample
8. Produce Photos for Sample
9. Transmit Coord and Photos of Sample
10. Review Sample for Appropriateness
11. Reaffirm, Refine or Redefine (R³) Step # 3
12. STDC for Trial and Final Run (4 Target Packages)
13. Transmit First Target Package and Coordinates Second Package
14. Run Trial and Feedback RV Sessions
15. Transmit Photos of Second Package
16. Evaluate TD's of Trial Run From Second Package
17. R³ Steps # 1 Thru #6
18. Transmit Third Target Package and Coordinates of Fourth Package
19. Run Final and Feedback RV Sessions
20. Transmit Photos of Fourth Package
21. Evaluate TD's of Final Run From Fourth Package
22. Document Phase II

~~SECRET~~

~~SECRET~~

can then be employed by a fourth set of people who are to independently select targets for the runs. Documentation of these criteria are necessary to insure separated groups of individuals have the same basis for executing their various responsibilities.

4. (S-ORCON) DEVELOP COORDINATE RV PROTOCOL. Within the AMSAA RV Protocol of 26 March 1979 develop the specific protocol for the coordinate RV sessions employing single and multiple RV produced TDs of individual targets. This protocol will be developed and documented by the AMSAA RV team.

5. (S-NOFORN) DEVELOP TARGET DESCRIPTION EVALUATION CRITERIA. The evaluators will develop in conjunction with the RV team and document the criteria which they intend to use in the evaluation of the RV TDs prior to coordinate RV runs.

6. (S-NOFORN) DETERMINE QUANTITIES FOR RUNS. This evaluators will determine an acceptable minimum number of targets and of RV TDs. (experience has shown that previous TD tended to confuse evaluators when more than 8 or 9 TDs were evaluated at once using a forced matching of n TDs to n targets. It is hoped that in this phase more targets will be available than TDs to provide a less forced matching. Table 2 delineates the spectrum of and type of sessions envisioned for the trial and final runs, it was developed with the following objectives in mind.

a. Minimize Sessions

b. Allow no more than two RV sessions without feedback before a session with feedback for any one viewer.

c. Obtain a minimum of three TDs each for single, double and triple RV without feedback during the run in the final run.

7. (U) SELECT TARGETS AND DETERMINE COORDINATES (STDC). Utilizing the target selection criteria the photo interpreters will select about 5 targets across the spectrum allowed by the criteria. They will determine target coordinates of those targets.

8. (U) PREPARE PHOTOS. The photo interpreters will prepare photographs of the targets selected in step 7. These photographs will be of specified size even about the target and will all be to the same scale if possible.

9. (U) TRANSMIT COORDINATES AND PHOTOS. The target data will be assembled into individual packages and transmitted to the other three groups.

~~SECRET~~

~~SECRET~~

TABLE 2 (U) PHASE II SESSION SPECTRUM
 (U) PROPOSED PHASE II IN-HOUSE FY 79 GRILL FLAME PROJECT

- TRIAL RUN -

<u>Viewer</u>	<u>Target Description</u>			
	<u>1</u>	<u>2</u>	<u>3</u>	<u>4</u>
1	(X)			X
2		(X)		X
3			(X)	X

- FINAL RUN -

<u>Viewer</u>	<u>Target Description</u>											
	<u>1</u>	<u>2</u>	<u>3</u>	<u>4</u>	<u>5</u>	<u>6</u>	<u>7</u>	<u>8</u>	<u>9</u>	<u>10</u>	<u>11</u>	<u>12</u>
1	X			X	(X)			X	X	(X)	X	X
2		X		X	(X)	X	(X)		X	(X)	X	X
3			X			X	(X)	X	X	(X)	X	X

- Summary -

	<u>Trial</u>	<u>Final</u>
X: Single Blind Target for Feedback	3	3
X: Double Blind Target No Feedback in Run	1	9
Single RV TD (X)	3	-
Double RV TD (X)	-	3
Triple RV TD (X)	-	2
Triple RV TD (X)	-	3
Triple RV TD (X)	1	3

~~SECRET~~

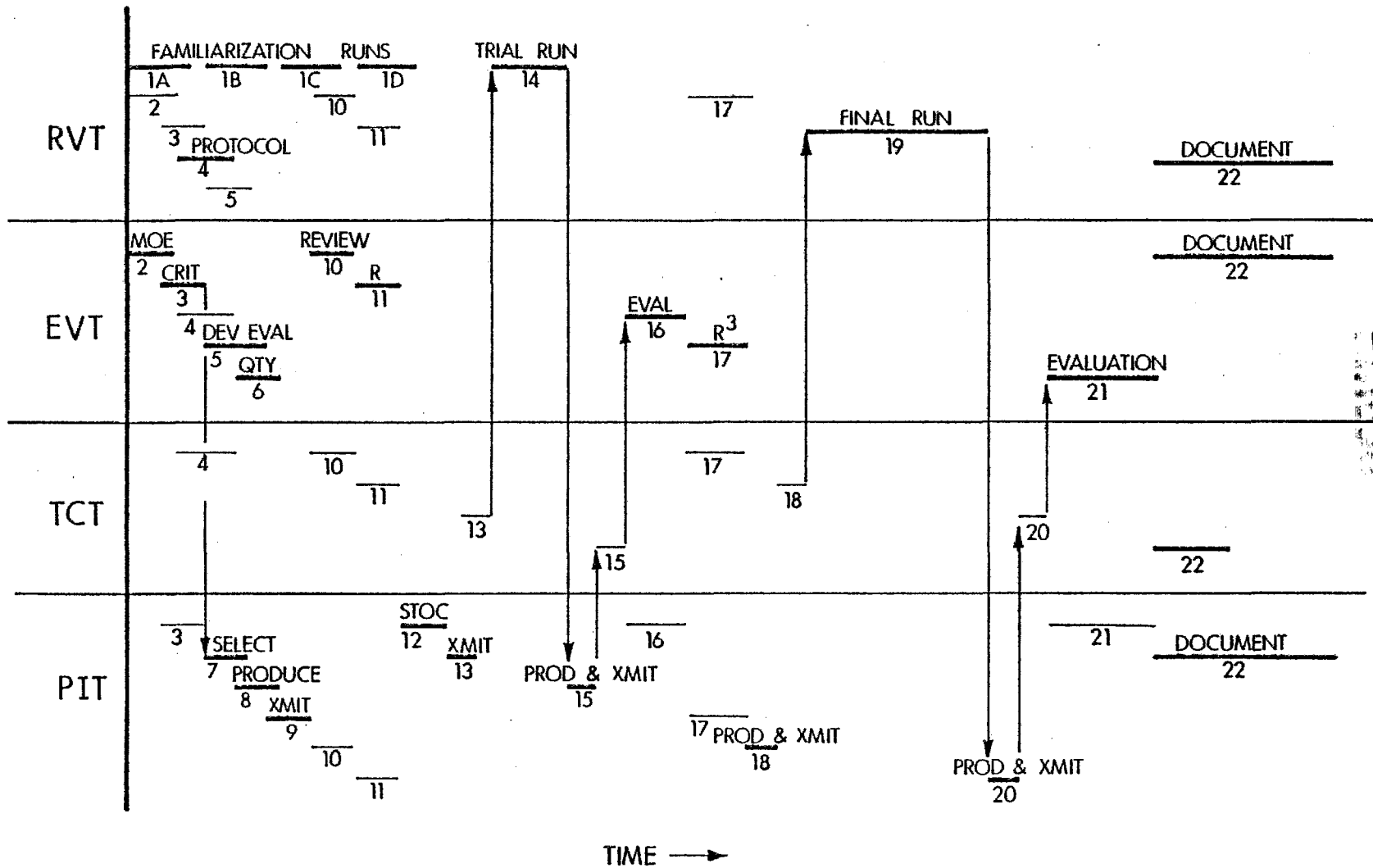
~~SECRET~~

10. (S-ORCON) REVIEW SAMPLE FOR APPROPRIATENESS. Each group will independently and the collectively review the sample target information and its packaging.
11. (U) REAFIRM, REFINE OR REDEFINE (R³) STEP #3. Based on results of Step # 10 reafirm, refine or redefine the target selection and packaging criteria.
12. (S-ORCON) STDC FOR RUNS. Utilizing the results of Step #11 and the quantities determined in Step #6 the photo interpreters will prepare for target packages two of which will be complete (First and third) and two (second fourth) for which the photo interpreters will transmit the coordinates and hold the photos until the run is over and all RV TDs are in the hands of the target controllers.
13. (U) TRANSMIT 1ST AND 2ND TARGET PACKAGE. Send the packages to the target controllers.
14. (S-ORCON) RUN TRIAL AND FEEDBACK RV SESSIONS. Execute protocol developed in Step #4 for packages 1 and 2.
15. (U) TRANSMIT PHOTOS OF 2ND PACKAGE. Upon notification by the target controllers that they have obtained all the TDs the photo interpreters will transmit the photos of the second package.
16. (S-ORCON) EVALUATE TDs OF TRIAL RUN FROM 2ND PACKAGE. Utilizing the photos of the 2nd package evaluate the correspondence of the trial run TDs to the targets.
17. (S-ORCON) R³ STEPS #1 THRU #6. All groups will review the results of the RV sessions and the evaluations to determine the need for reafirm, refine or redefine any of the elements of Steps #1 thru # 6, document these findings and implement any necessary changes.
- 18-21. (U) PERFORM FINAL RUN AND EVALUATE.
22. (U) DOCUMENT PHASE II.

~~SECRET~~

UNCLASSIFIED

PROPOSED PHASE II IN-HOUSE FY79 PROJECT



Approved For Release 2003/09/09 : CIA-RDP96-00788R001100110005-4

Approved For Release 2003/09/09 : CIA-RDP96-00788R001100110005-4

V-025

UNCLASSIFIED

JWK
26 APR 79