

~~SECRET~~

Summary Analysis

Remote Viewing (RV) Session CCC47

1.(S) This report documents a remote viewing session conducted in compliance with a request for information on a target of interest.

2.(S) The viewer had difficulty in attaining his mental state of relaxed concentration. He was distracted by ambient room noise which was moderate. He reported that his imagery was periodic rather than continuous. Had little confidence in his imagery and felt that there was probably a lot of overlay in his viewing.

3.(S) Use A.3.

4.(S) Standard

No TAB B

yet

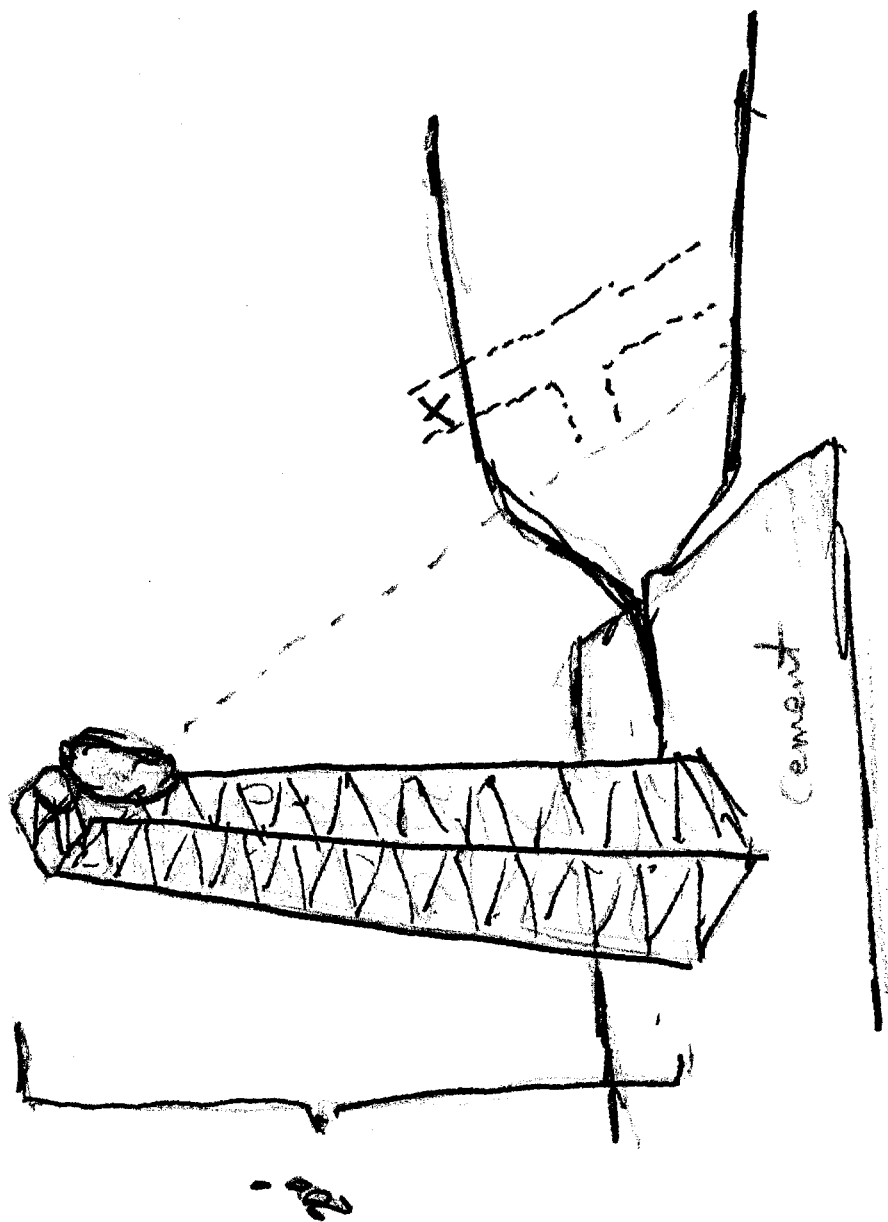
This document is made available through the declassification efforts
and research of John Greenewald, Jr., creator of:

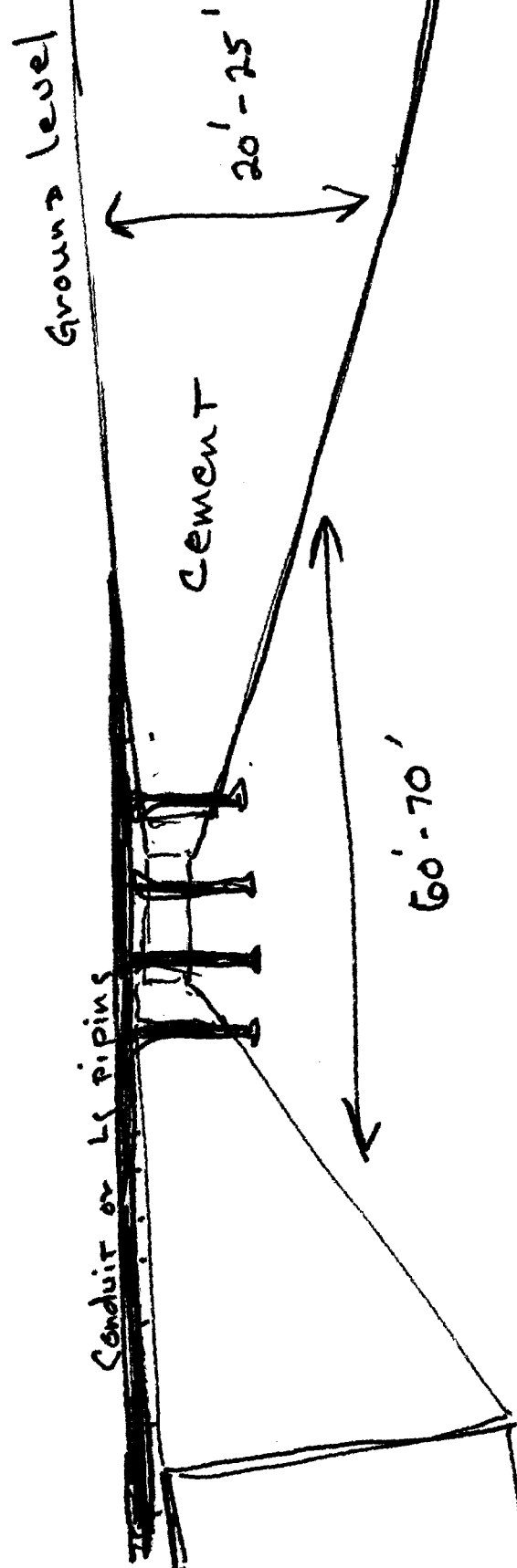
The Black Vault



The Black Vault is the largest online Freedom of Information Act (FOIA) document clearinghouse in the world. The research efforts here are responsible for the declassification of hundreds of thousands of pages released by the U.S. Government & Military.

Discover the Truth at: <http://www.theblackvault.com>

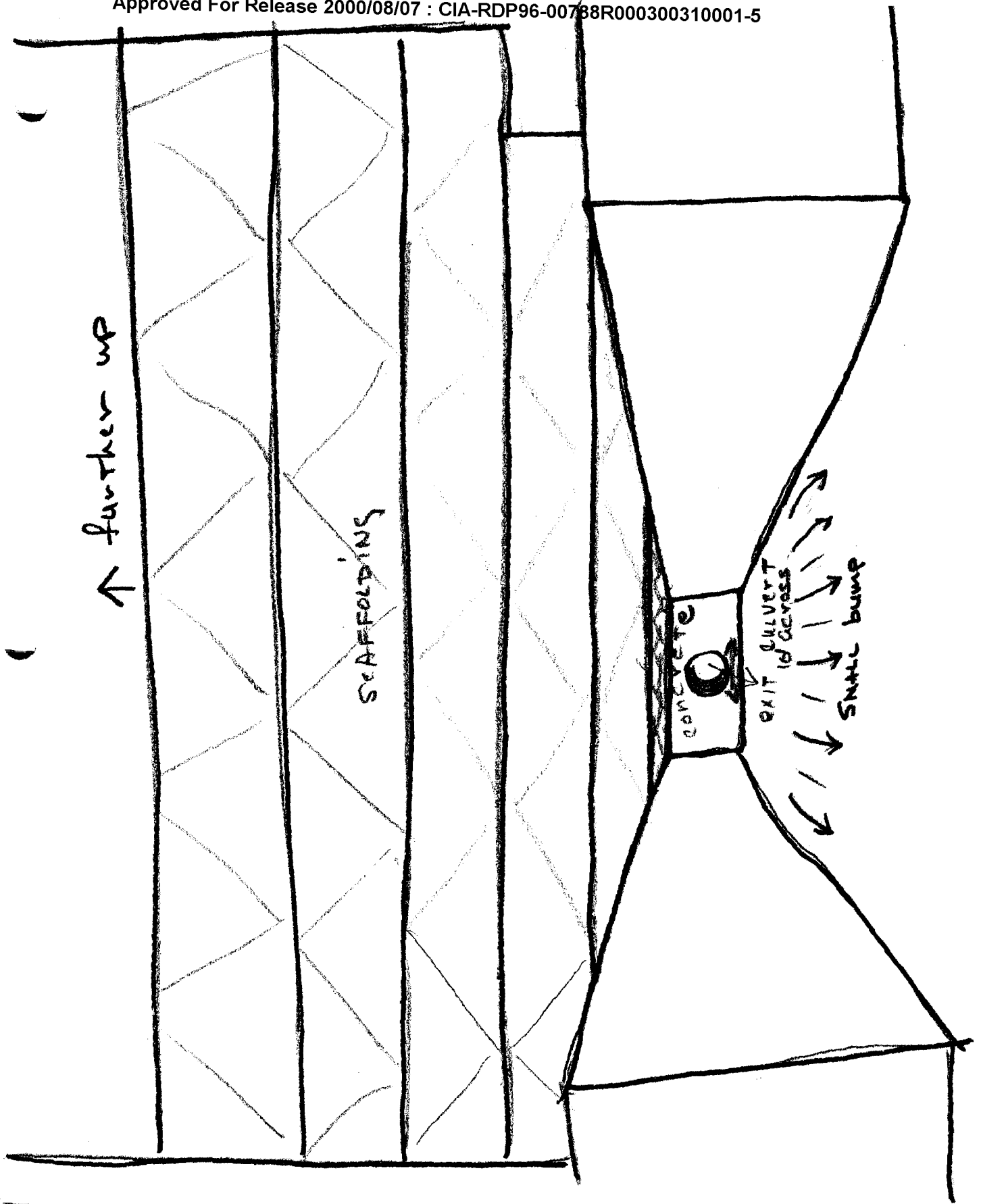




②



TOWER



↑ further up

SCAFFOLDING

CONCRETE

EXIT DUCT

EXIT DUCT

SMALL BUMP

