

9 MAR 89
0838
FT. MEADE
SOLO

P.I. ~~ANLEY~~ ANLEY
A.U. NONE.

COORDINATES STAND FOR CONTENTS OF OBJECTS SHOWN
IN OVERHEAD PHOTO.

748464
~~86290~~

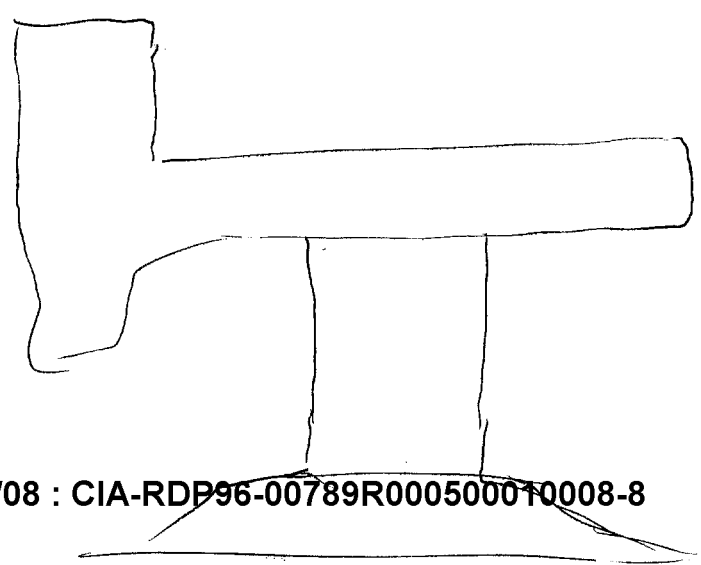
A: ROUND & ROUND
TICKETS
SUBJECT.

B: GOLDEN COLORED
DARK
TICKETS

AOL DRK
COPPER COALS.
AOL DRK
COPPER WINDS
AOL DRK
VISUAL

AOL SKETCH

~~SECRET~~



This document is made available through the declassification efforts
and research of John Greenewald, Jr., creator of:

The Black Vault

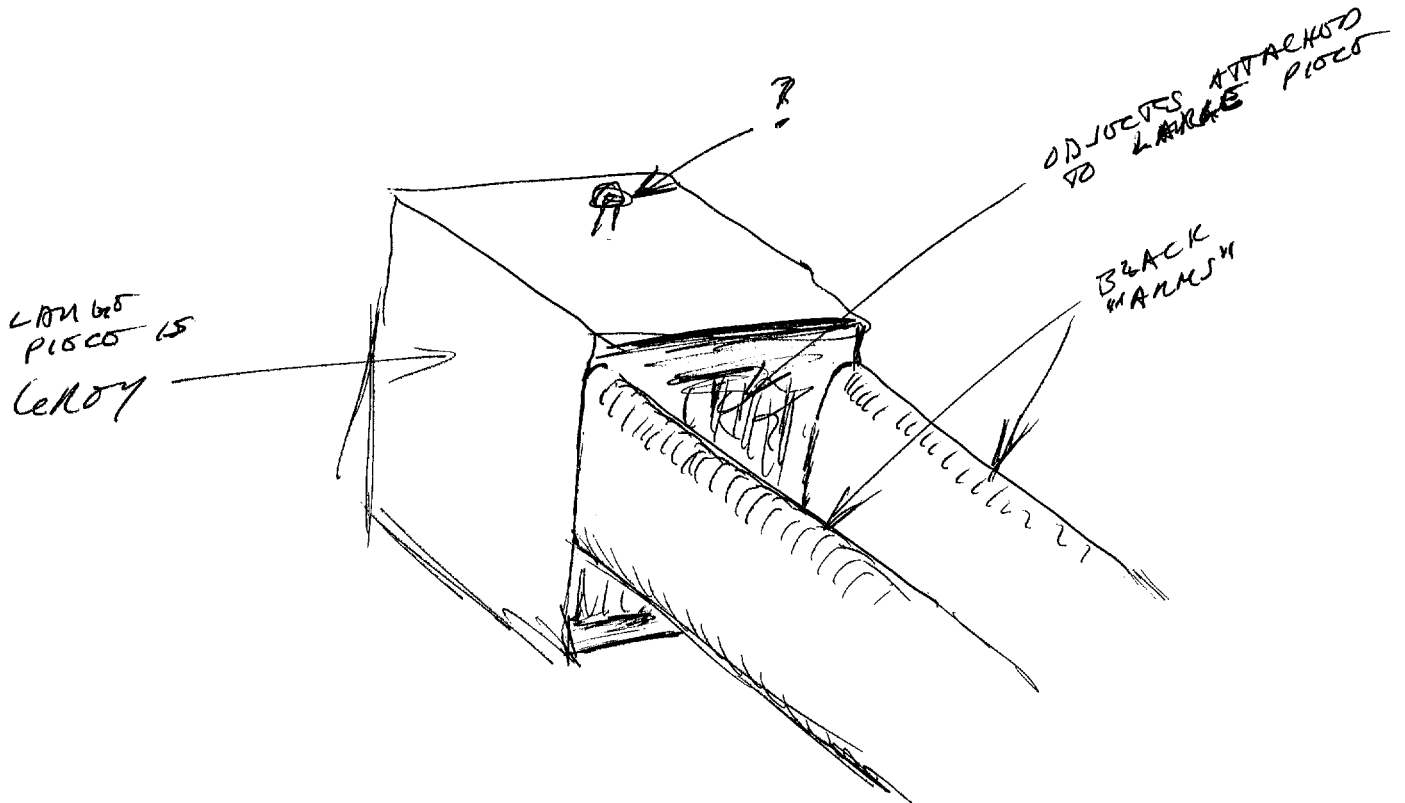
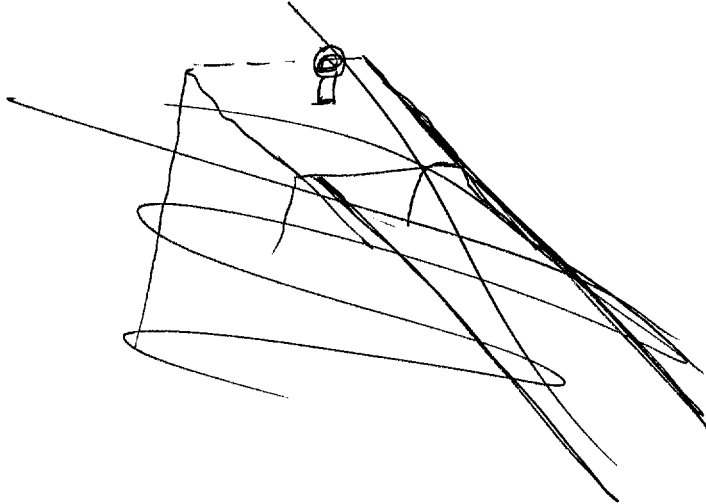


The Black Vault is the largest online Freedom of Information Act (FOIA) document clearinghouse in the world. The research efforts here are responsible for the declassification of hundreds of thousands of pages released by the U.S. Government & Military.

Discover the Truth at: <http://www.theblackvault.com>

(2)

BOX A



3

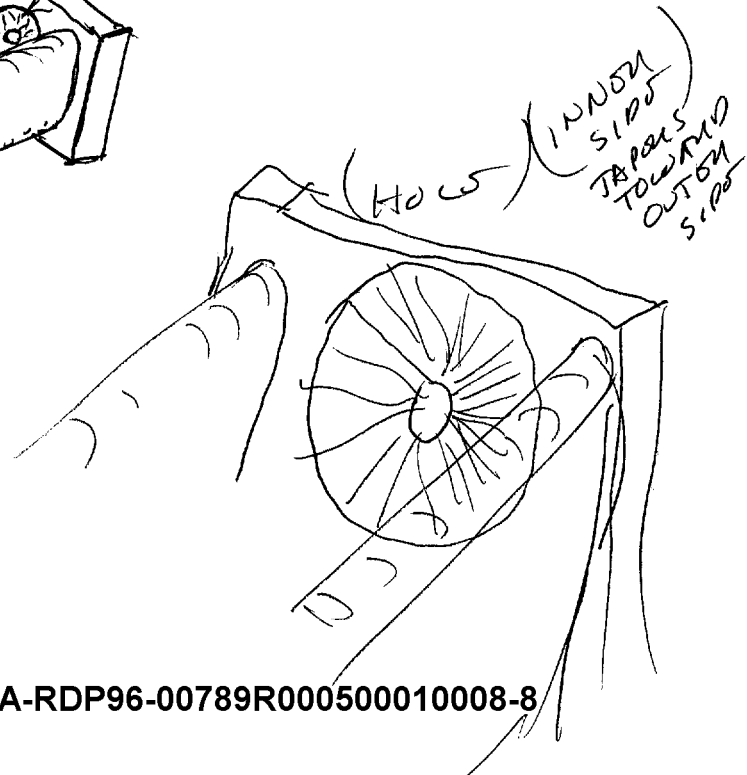
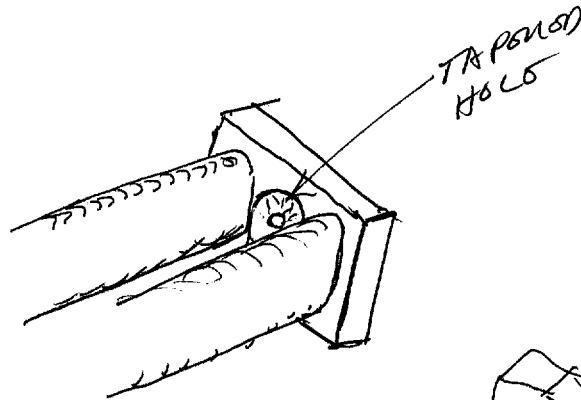
748464
862900

A: ACROSS
USING
TIMED
SMOOTH
BL OBJECT.

SZ:
LINES
MISTAKEN
SMOOTH

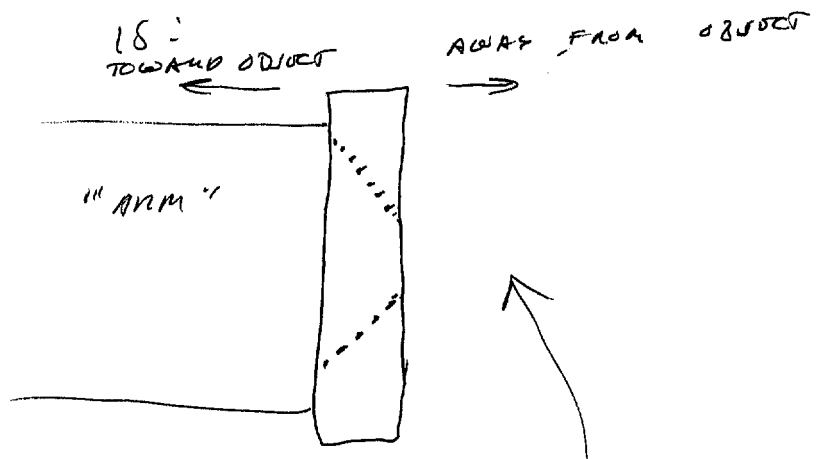
LONG
HOLLOW SOUND

AN AMIC
VISUAL



4

S4 1/2
PERCEPTION (VISUAL) OF AN
"END PLATE" WHICH HAS A
TAPERING HOLE IN IT.
CROSS SECTION OF THIS PLATE



AR: BUBBLE
F502 OF
IONIZED AIR,
ALWT HOLE

5

AUSA "B"

748 464
~~8629000000~~

A: round + round
SWEETLY

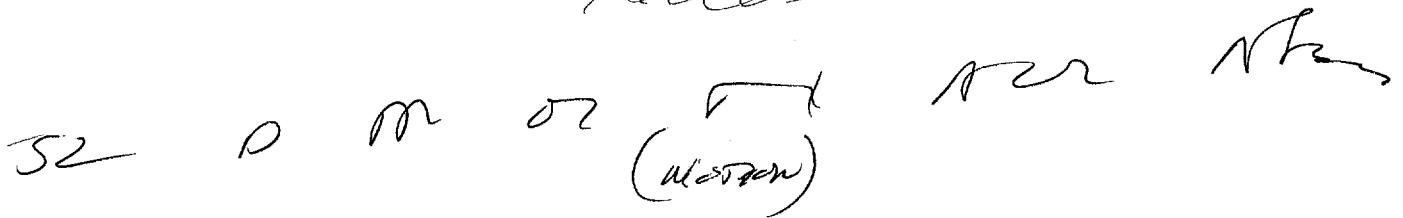
B: ~~~~~~~~~

S2: constant motion



LOOPING MOTION

~~~~~



looping round + round

CONSTANT  
STRONG  
FAST

A/B,  
SOMETIMES  
SLIGHTLY  
OFF-CENTRE.

AD MK

LIKE A LEAN WHICH  
MAINTAINS A CONSTANT  
"WOBBLE" <sup>WHETHER IT TURNS AS</sup> BECAUSE OF  
THE MOTION OF ITS  
SPINDLES

(6)

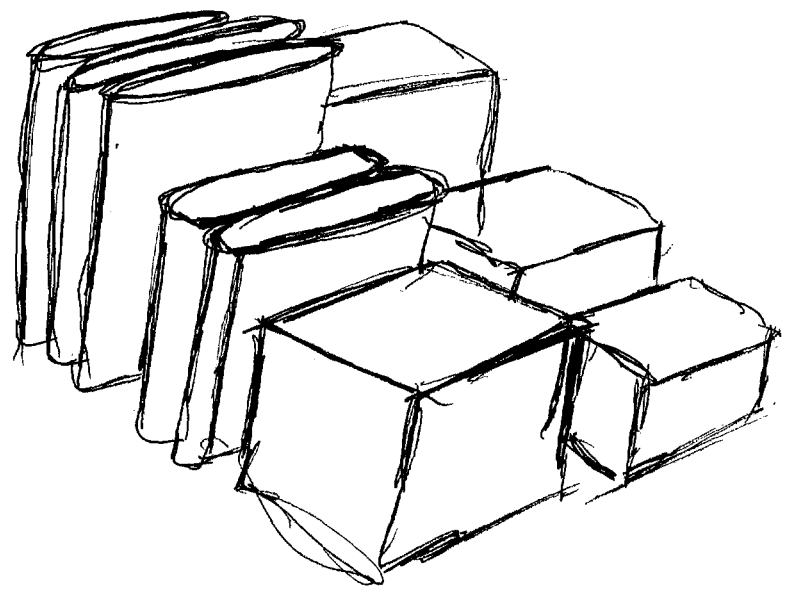
BOX 'B'

52 D M M T 1 per ab

LARGE  
VOLUME  
ROUND  
THIN  
TALL  
NARROW  
CROWDED

"THINGS"

SE:



DARK  
BLACK  
DARK QUOT  
DARK DISTORTION QUOT,  
COVERED

5 1/2 IN CONSTANT USE, ALWAYS

"TURNING ON & RUNNING"



"B"

S2 0 M 0 T 1 RR d/s  
(18")

WARM  
MOTOR FORCE  
VIBRATION  
POWERFUL

NOW-MOVING

warm

~~WARM~~ WARMTH  
FEELS COZY  
& NICE -  
FEELS LIKE  
SOME PLACE  
TO TAKE A  
NAP.

HUMMING SOUND

"DRIVER"  
"PRO -"  
"PRODUCE 1"



"B"

(8)

52

D OZ OZ T  
("B") i me ab.

PRO POL  
PRO-(MOTON)  
FOZ

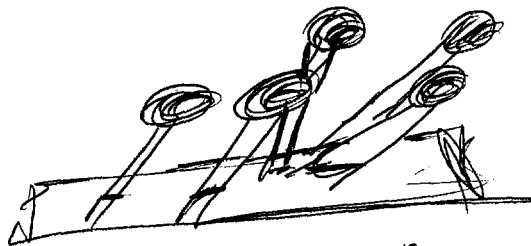
Wm

PRO  
"PRO PALATZ"

"PROVOR"

BROOK

OTTS 108 BOXES



ADL PUK  
CONTROL WOUNDS,

ADL PUK

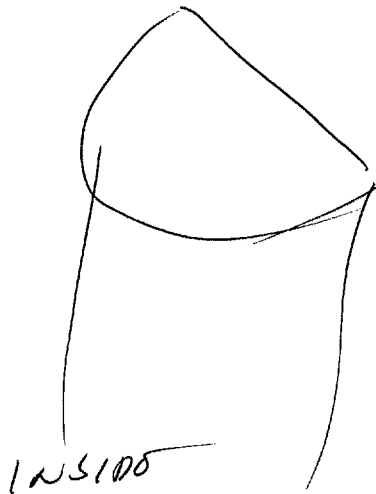
HYDROLIC

CONTROL WOUNDS.



"C"

S2 D M O T I RZ A  
"C"



LIGHTS  
PANTS  
DRAWERS

HUGE  
LARGE  
TALL

LT GNEY

SITING

"BUMPING" NOISE  
IRREGULAR BUMPING NOISE.

NR MR  
LIKE A CHAIN BORN  
PULLED ACROSS A  
STAMP CORNER.

(TB)

S2 D mv of T, Anal.

u/1 smoke

warm

at the pleasant smell.

(small)

now

warm

clean

now equipment smell

cool to touch.

at BK.

JUST OUTSIDE PART OF "C"  
BOTHING THIS ROUNDER PART

AND GOT A PHYSICAL JOET

1ST IMPRESSION WAS  
THAT OF A STRONG  
FIELD - TSLA COIL.





BROOK

NATIONALITY

AOZ/S  
ITALIAN  
AOZ ~~S~~  
CHINESE

(NOTE: ACCESSIBLE PERSONNEL)

SZ    P    OZ    OZ    OZ    I    DEL    A11,  
(NATIONALITY)

ONLY  
ROCKY  
HOMES

HILLY  
"AIRI"  
"AWEEARI"  
"ARI!"

VERY SHORT "KID/MAN" IN UNIFORMS.

WHITE HATS  
FEAT TOPPED HATS,  
BLACK HAT BONDS.

S4 1/2 NOT PORO COLOR TO UNIFORM, BUT  
"CHALKY" COLOR - "CHALKINESS" TO COLOR.  
"CHALKY" O.D. - LIKE COLOR.

(12)

52 D M U T M S,  
"PEOPLE"

TAN  
SMALL  
WIRY

ALL BAK  
JURKS.

CAUCASIAN

BONY/MUSCLED FACE.

S 4 1/2: AMITOKI THE CAUCASIAN, BUT  
DON'T RECOGNIZE IT. MOSTLY  
VOWELS + SCURRED CONSONANTS. -  
CONSONANTS ARE ALMOST SWALLOWED.

ALL BAK  
LIKE FRENCH,  
BUT DOESN'T SOUND  
FRENCH.

"UMOMO DAVAT"

ALL BAK  
DAVAT IS RUSSIAN

S 4 1/2 I ASKED THE RADIO MAN TO SAY "OWE"  
GOT RESPONSE: "ODNDH"  
OR "OH-DUN"  
WOUND SOUNDS RUSSIAN, BUT IS NOT  
ALL BAK  
BULLERMAN.

SHIPS NAME  
(SOME POSSIBLE NAMES LISTED)

"KNAWSTIN"

"KNOIDON"

"CROY -"

"K-ARODEN"

(SOME OF THE NAMES ARE LISTED IN THE LISTING)

0950  
AND NAMES