


SECRET/NOFORN

PROJECT SUN STREAK

WARNING NOTICE: INTELLIGENCE SOURCES AND METHODS INVOLVED

-----  
PROJECT NUMBER: 8929                      SESSION NUMBER: 03  
DATE OF SESSION: 13 NOV 89              DATE OF REPORT: 13 NOV 89  
START: 1000                                END: 1055  
METHODODOLOGY: SOLO                      VIEWER IDENTIFIER: 011  
-----

SG1A

1. (S/NF/SK) MISSION: 

SG1A

2. (S/NF/SK) VIEWER TASKING: Access the rectangular configuration surfaced during Session 02 and follow it; describe the results of your findings with a narrative and with sketches.

3. (S/NF/SK) COMMENTS: Summary of Information is attached to this report. Next session to be monitored. Session 04 to be utilized to describe the position of the viewer; also so describe the nature of the surroundings, water, sand earth etal.

4. (S/NF/SK): EVALUATION:

5. (S/NF/SK) SEARCH EVALUATION:

HANDLE VIA SKEET CHANNELS ONLY

SECRET/NOFORN

CLASSIFIED BY: DIA (DT)  
DECLASSIFY: OADR

This document is made available through the declassification efforts  
and research of John Greenewald, Jr., creator of:

# The Black Vault



The Black Vault is the largest online Freedom of Information Act (FOIA) document clearinghouse in the world. The research efforts here are responsible for the declassification of hundreds of thousands of pages released by the U.S. Government & Military.

**Discover the Truth** at: <http://www.theblackvault.com>

~~SECRET~~

WORKING PAPER

P 8929  
D 891113  
V 011  
S 03  
M SOLO  
T 1000-1055

### SUMMARY OF INFORMATION

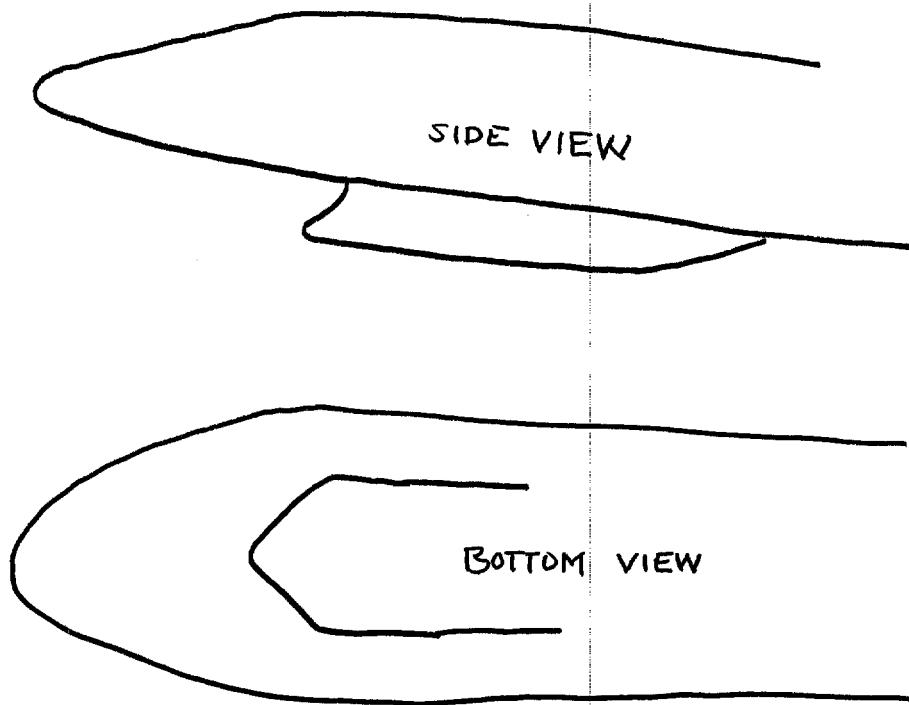
FIRST IMPRESSIONS DURING THIS SESSION WERE OF A LARGE, SLOW MOVING OBJECT PASSING OVERHEAD. THERE WERE NO INDICATIONS AS TO HOW THIS OBJECT RELATES TO THE INTELLIGENCE PROBLEM. THIS OBJECT ALMOST APPEARS SHARK-LIKE FROM BELOW (SEE SKETCH\*1).

THE TARGET OBJECT (REF. SESSION 01) CONSISTS OF A LONG, METALLIC CYLINDER WHICH IS ENCLOSED BY A LONG, BOX-LIKE STRUCTURE. THERE IS ALSO A SMALLER, POINTED, CYLINDRICAL, PROJECTILE-LIKE OBJECT WHICH EXITS THIS TUBE/BOX. THIS SMALLER OBJECT HAS FLAT FINS THAT OPEN IN FLIGHT, THESE FIN-LIKE DEVICES SLOW-DOWN AND STABILIZE THE PROJECTILE (SEE SKETCH\*2).

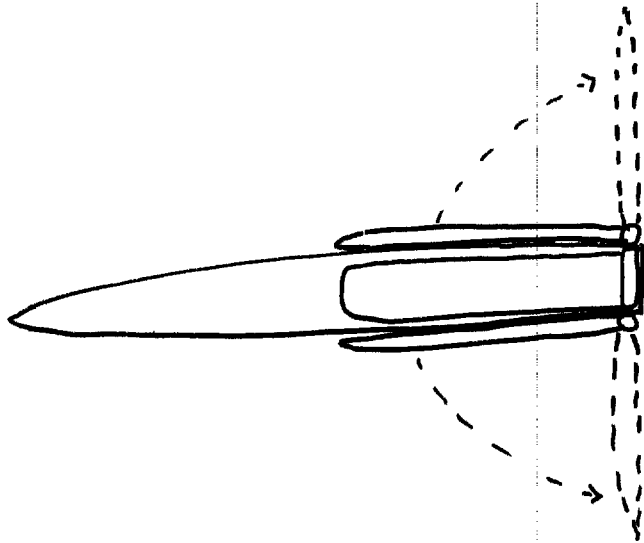
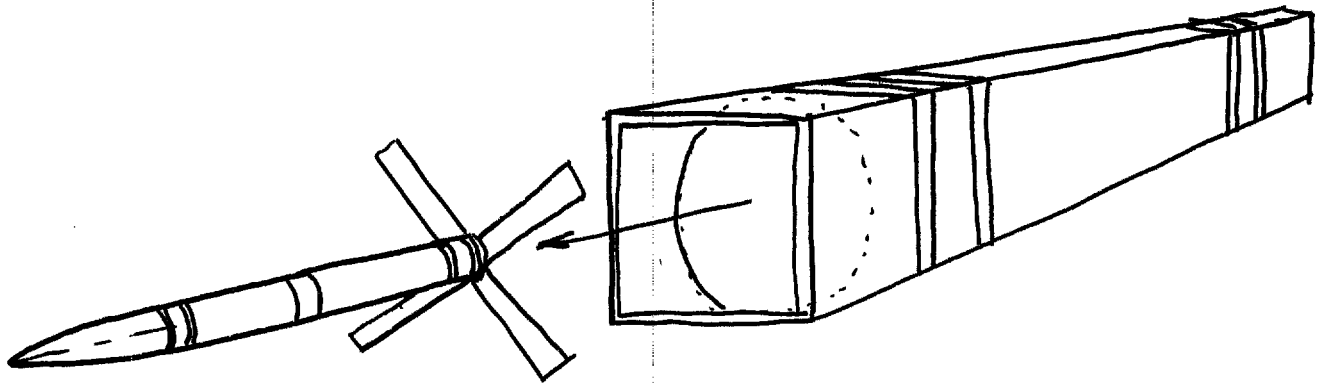
CONCEPTS ASSOCIATED WITH THE TARGET OBJECT ARE; RESEARCH, BALLISTICS, PROBE, AND INFORMATION GATHERING DEVICE.

HANDLE VIA SECRET CHANNELS ONLY

~~SECRET~~



SKETCH \*1



SKETCH \*2