

~~SECRET~~/NOFORN - SKEET CHANNELS ONLY

PROJECT SUN STREAK (U)

WARNING NOTICE: INTELLIGENCE SOURCES AND METHODS INVOLVED

Session Procedures Report (S/NF/SK)

PROJECT NUMBER: 8713	SESSION NUMBER: 3
DATE OF SESSION: 19 OCT 87	TARGET COUNTRY:
REFERENCE:	MISSION STATUS:
TECHNIQUE UTILIZED: CRV	SOURCE IDENTIFIER: 011

1. (S/NF/SK) Monitor Tasking: Per tasking packet, determine the nature and extent of current activities at the given coordinates.
2. (S/NF/SK) Source Tasking: The session began in Stage III with a movement exercise, the intent being to get an overhead perspective of the site. The Viewer was then directed to explore the "source" of the "green flash" (see session #2).
3. (S/NF/SK) Summary: The Viewer's summary, including sketches, is attached.
4. (S/NF/SK) Comments: This monitor is confident in the substance and accuracy of the attached data. But, in some way, it seems to be "disconnected" from the actual site. I am left with the impression that the "target/task" has not been properly articulated in the customer's own mind or, if it has, that the viewer is working against a hidden agenda.

SGFOIA3



~~SECRET~~/NOFORN - SKEET CHANNELS ONLY

CLASSIFIED BY: DIA-DT
DECLASSIFY : OADR

This document is made available through the declassification efforts
and research of John Greenewald, Jr., creator of:

The Black Vault



The Black Vault is the largest online Freedom of Information Act (FOIA)
document clearinghouse in the world. The research efforts here are
responsible for the declassification of hundreds of thousands of pages
released by the U.S. Government & Military.

Discover the Truth at: <http://www.theblackvault.com>

SESSION SUMMARY

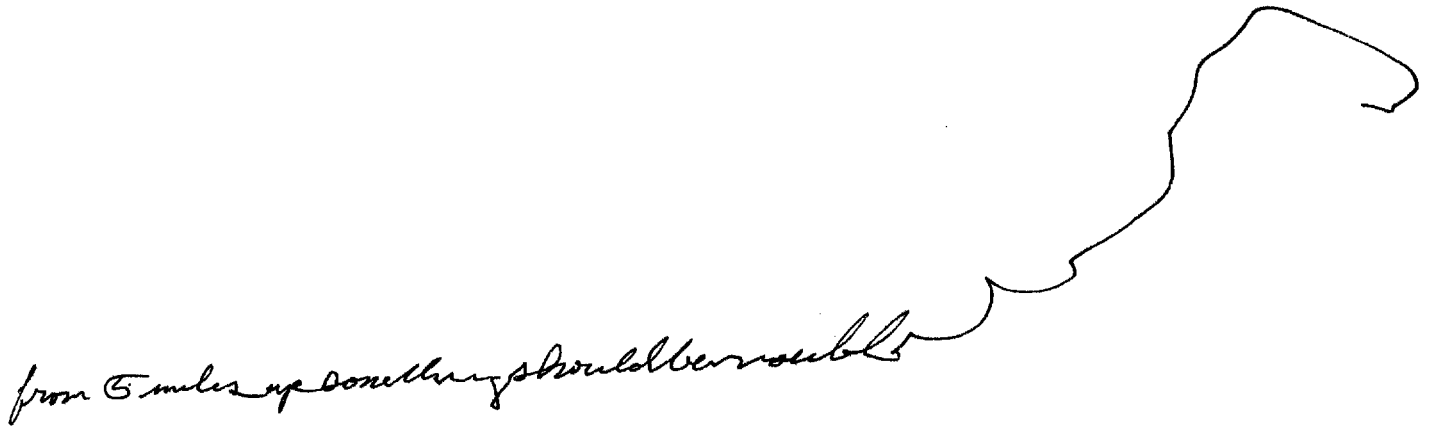
SESSION: 19 OCT 87, 1015- hrs

The target is a "green flash" from a previous session. Associated with the green flash is a burst of explosive energy. In the background is a high-pitched whining sound, increasing in pitch and volume, like the revving-up of a jet aircraft engine. The object/device producing this sound is solid and heavy and is spinning at an incredible speed. It is large, round, cylindrical, metallic, and grey in color (ADL - like a turbine generator).

The green flash is produced at the end of a long, heavy, metallic cylinder/tube. This long, heavy tube has^a a small hole bored at the center that eventually connects to a larger opening, like a chamber, at the opposite end. ^(see sketch, page 6) This chamber seems to fill up with some form of energy. There is a feeling of something being compressed under terrific pressure. There is a kaleidoscope of colors associated with this event that is unusual. The "perception" of colors is evident, but the colors themselves are not physically apparent.

Following the green flash, once it leaves the tube, there is a perception of a square or rectangular-shaped slab of metal.... a dense, heavy metal with a rectangle-within-a-circle design on it. (see sketch, page 7)

VIEWER 011



A. curving up,
 peak, curving down
 up, angle across
 incline up, rough
 across, curving
 west

B. land/structure

S-2?

rocky
hard
rugged
cold
gray
peak
flat
includes
softer
brown
corals
joints



GREEN FLASH?

glowing green

explosive

whining from low to higher pitch - like an aircraft engine running up

energy

burst

hard heavy solid mass

spinning at incredible speed

round circles

object device

smooth hard metallic gray round cylindrical large

AOL break
like a turbine generator

spinning

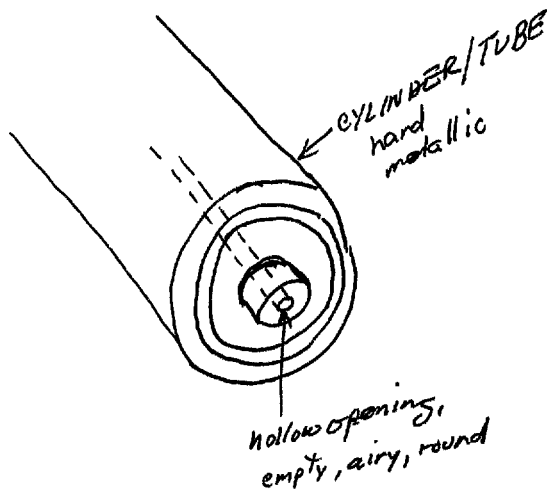
blades

fan

airy small round space empty

energy

AOL SKETCH



AOL
— diamond tip cutting bit

Spinning device is located somewhere in background

INSIDE TUBE?

cylinders

bore

heavy

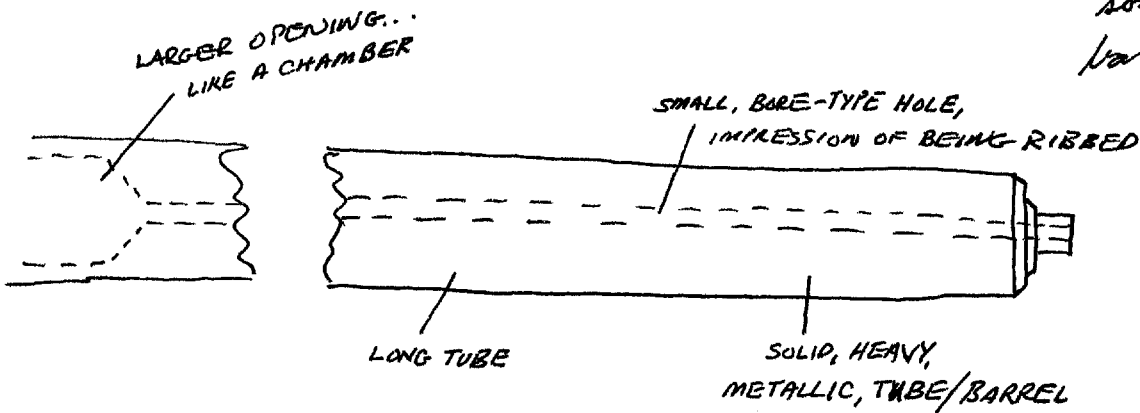
solid mass

empty
cavity

dark
grey
hard
smooth
diff

TO THE REAR?

not break
some type of gun
barrel



CHAMBER?

airy

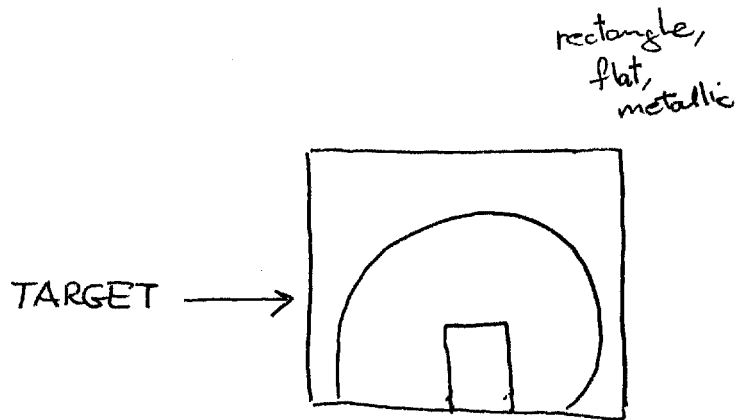
4 1/2 - filling up, filling up with some form of energy

colors - hard to distinguish -

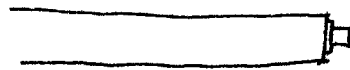
pressure
compression

for break
in a kaleidescopy

the perception of colors is evident, but the colors themselves are not physically apparent.



4 1/2 - getting a square or rectangular-shaped slab of metal, --- dense, heavy metal with a rectangle - within - a circle design on it.



incredibl speed associated with green flash - want to say
with the green flash

Approved For Release 2001/03/07 : CIA-RDP96-00789R000200120007-0