

SECRET/NOFORN

PROJECT SUN STREAK

WARNING NOTICE: INTELLIGENCE SOURCES AND METHODS INVOLVED

PROJECT NUMBER: ~~██████████~~ 5205 SESSION NUMBER: 001

DATE OF SESSION: 23 May 89 DATE OF REPORT: 8 June 89

START: 1425 END: 1505

METHODOLOGY: CRV VIEWER IDENTIFIER: 011

SG1A

1. (S/NF/SK) MISSION: Access and report on a target identified only by encrypted coordinates. (Monitor was also blind as to target, ██████████)

SG1A

2. (S/NF/SK) VIEWER TASKING: Encrypted coordinates 768277/924599.

3. (S/NF/SK) COMMENTS: Source accurately accessed and described target.

4. (S/NF/SK): EVALUATION: 4

HANDLE VIA SKEET CHANNELS ONLY

SECRET/NOFORN

CLASSIFIED BY: DIA (DT)
DECLASSIFY: OADR

Search 7

This document is made available through the declassification efforts
and research of John Greenewald, Jr., creator of:

The Black Vault



The Black Vault is the largest online Freedom of Information Act (FOIA) document clearinghouse in the world. The research efforts here are responsible for the declassification of hundreds of thousands of pages released by the U.S. Government & Military.

Discover the Truth at: <http://www.theblackvault.com>

~~SECRET~~
WORKING PAPER

P 5205
23 MAY 89
VOII
SOI

START: 1425
STOP: 1505

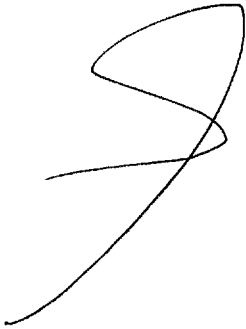
SUMMARY OF INFORMATION

THE TARGET OF INTEREST APPEARS TO BE A LARGE OBJECT. THERE ARE TWO ASPECTS TO THIS TARGET; ONE IS TALL, POINTED, AND CAN BE SITUATED AT VARIOUS ANGLES FROM APPROXIMATELY 15 TO 90 DEGREES PERPENDICULAR TO THE HORIZONTAL AXIS; THE OTHER ASPECT IS LONG, ANGULAR AND HORIZONTAL. ASSOCIATED WITH THIS OBJECT IS A FEELING OF VERTICAL VELOCITY.

AOL: THE OVERALL CONCEPT OF THIS OBJECT IS SOMETHING THAT FUNCTIONS "LIKE" A MISSILE IN SOME TERMS, BUT ALSO "LIKE" AN ARTILLERY PIECE IN OTHER TERMS.

HANDEL VIA SKEET CHANNELS ONLY

768277
924599



768277
924599



A. across, flat,
angle, incline up,
incline down
hard

B. structure

S-2

smooth
hard
grey
hard

up.
incline
peak
angle

triangular

768277
924599



A. accords, angle
up. incline, angle
incline down
hobs

2. structure

5-2
hard
smooth
up
tall
incline
angular
angular
triangular
pointed

hard
smooth
gray
metallic

red
gray

AOL Break

like a missile

S-2
long
pointed
tall


AI
the vertical and
horizontal aspects are confusing

$\frac{1}{2}$ - target is a structure, but it seems
like some kind of object, albeit a rather large object



UNDECLARED AOL
like washington monument

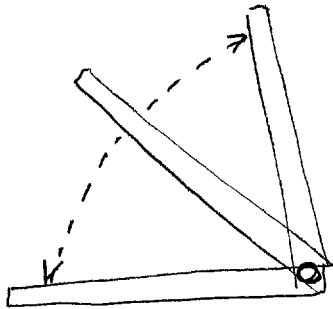
long, tall, angular, pointed
oblique

 - angling obliquely away from me

AI Break

something odd about this objects
location in space/time

perceive movement of object from horizontal to near vertical on an incline



AOL Breaks

AOL - like a mobile missile system

AOL - like a large artillery piece

hard
grey
smooth
metallic

heavy
long

object
objects
projectile-like
trajectory

AOL

confusion break

feel that i'm dealing with something
that acts like a missile in some terms
but also like an artillery in another

in others I'm getting an overlay of traditional
artillery overlaid with a missile concept.

red
grey

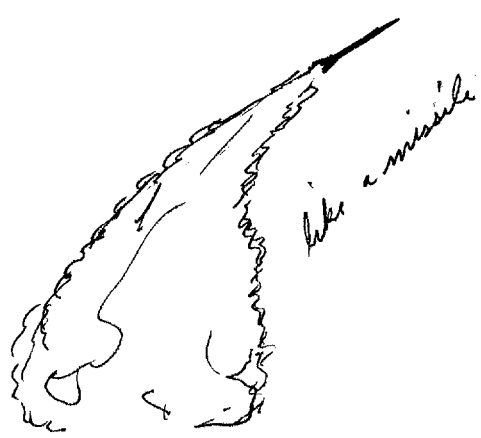
horizontal / vertical

in other words there is a long horizontal
axis to the object, but also a tall vertical axis
to this object — but not necessarily at the same time.

NATURE/PURPOSE?

large

sweeping up



like a missile

~~AOL/S~~
SA-5

1505